



IMF 58

LIST OF EXPLODED VIEWS



SHELL ASSY

COOLING SYSTEM

HYDRAULIC CIRCUIT

EVAPORATOR SUPPORT from s/n. 497153

EVAPORATOR SUPPORT till s/n. 497152

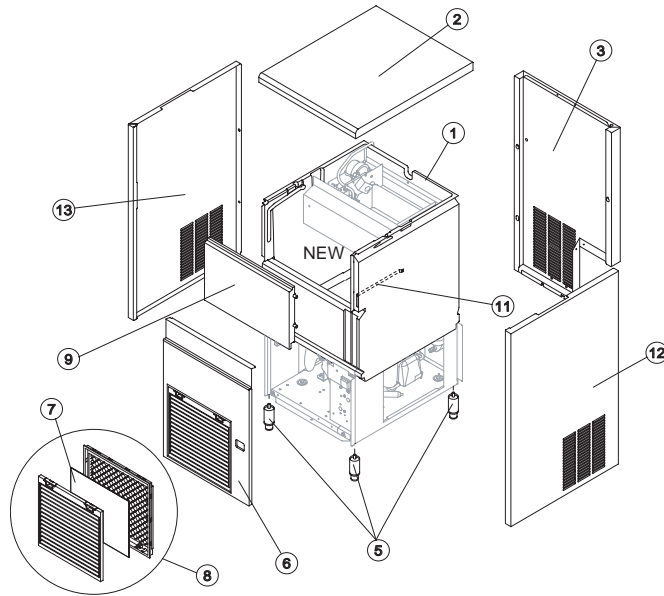
ELECTRIC PARTS

Rev. 12 - 12/03/2019



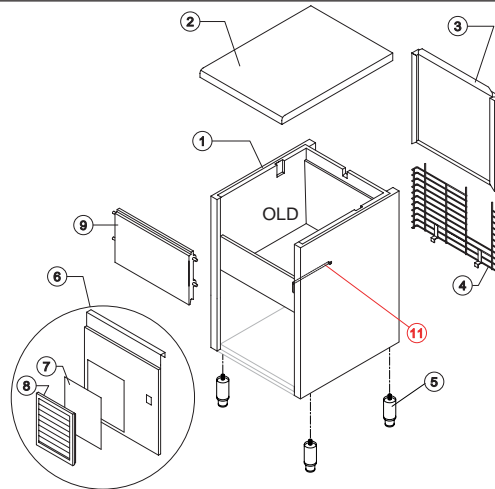
IMF 58

SHELL ASSY



NEW Version

Ref.	Spare Description	Code
1	Foamed Bin Assy	C11137
2	Top Assembly	221358
3	Rear Panel Assembly	C21387
5	Foot	20613
6	Front Grid Panel	C221357
7*	Filtering Panel	18106
8	Frame + Grid & Filter	C10205
9	Door Assy	C10297
11	Bulb-holder Pipe	20521
12	Right Side Panel	221418
13	Left Side Panel	221417



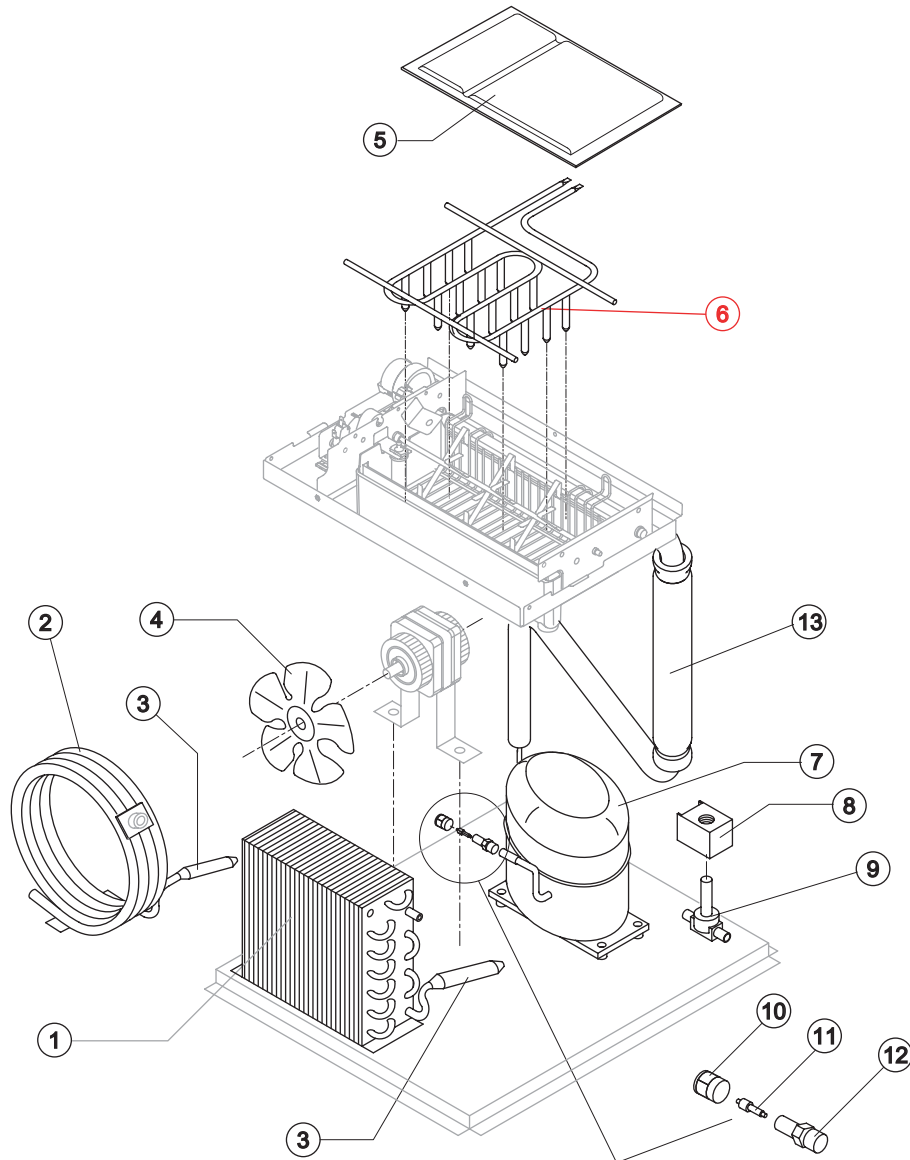
OLD Version

Ref.	Spare Description	Code
1	Foamed Bin Assy	C11143
2	Top Assembly	C22692
3	Rear Panel Assembly	C21183
4	Rear Grid	D12006
5	Foot	20613
6	Front Grid Panel	C22508
7*	Filtering Panel	18106
8	Frame + Grid & Filter	C10205
9	Door Assy	C10297
11	Bulb-holder Pipe	Current Version 20521
11	Bulbe-holder Pipe	Till s/n. 497152 20522

Rev. 12 - 12/03/2019



Rev. 12 - 12/03/2019



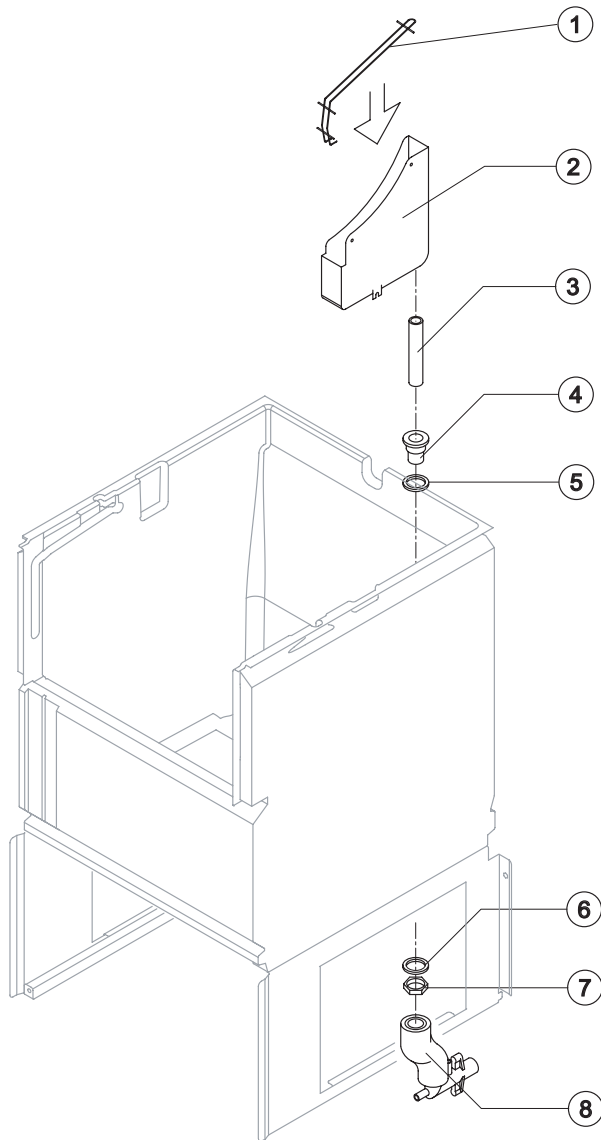
Ref.	Spare Description	Code
3*	Molecular Drier	14009
5	Evaporator Cover Panel	10487
6	Evaporator	Current Version D14691
6	Evaporator	Till s/n. 497152 D14527
7	Compressor	23985
8*	Hot Gas Valve Coil	231294
9*	Hot Gas Valve Body	20410
13	Suctin Line	for the spare parts code give us the s/n.

Parts for Air-Cooled Version Only

Ref.	Spare Description	Code
1	Air Condenser	20019
4	Sucking Fan	20096

Parts for Water-Cooled Version Only

Ref.	Spare Description	Code
2	Water Condenser	14014



Common Parts

Ref.	Spare Description	Code
1	Water Collecting Basin Slide	12072
2	Water Collecting Basin	10456
3*	Water Collecting Basin Drain Pipe	13107
4	Water Outlet Nipple	10472
5	Silicone Gasket	13219
6	Semirigid Polyethylene Gasket	13007
7	Bin Discharge Nut	10096

Parts for Air-Cooled Version Only

Ref.	Spare Description	Code
8	Discharges Manifold	C10006

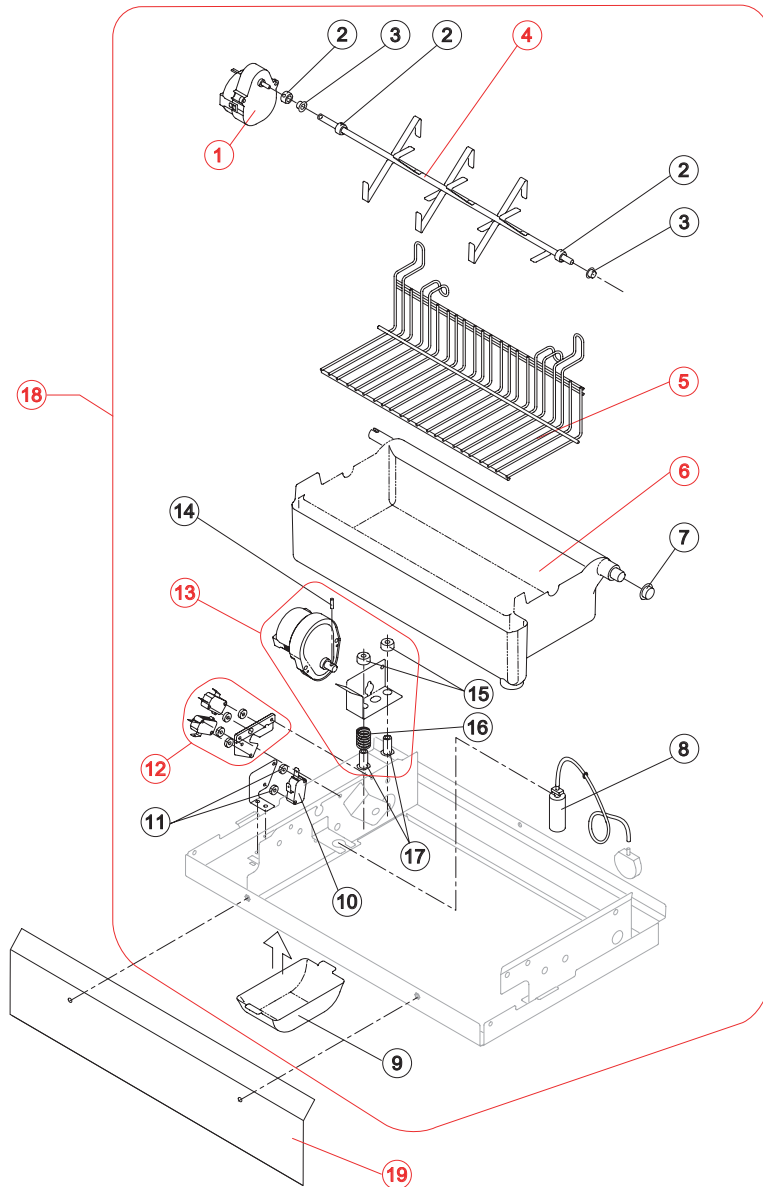
Parts for Water-Cooled Version Only

Ref.	Spare Description	Code
8	Discharges Manifold	C26452



IMF 58

EVAPORATOR SUPPORT from s/n. 497153



Ref.	Spare Description	Code
1*	Gearmotor (Paddles)	23801
2	Shaft Stop Ring	20227
3	Self-Lubricating Bush 06/06	20230
4*	Shaft with Paddles	20966
5	Internal Slide Bin	12088
6*	Water Basin with Pivot	C10591
7	Self-Lubricating Bush 12/07	20231
8*	Air Trap with Pipe	C10537
9	Gearmotor (Paddles) Protection	10483
10*	Microswitch (Paddles - NO)	23804
11	Switch Shimming Ring	10250
12*	2 Microswitches (Basin - NC) Support Assembly	C26747
13*	Gearmotor (Turnover Basin) with support Assy	C26746
14	Shaft Pin for Gearmotor (Turnover Basin)	20814
15	Special Ring	20808
16	Spring (Gearmotor Support)	20809
17	Threaded Pivot	20807
18	Evaporator Support Plate Assembly	C221206
19	Front Basin Cover	221204

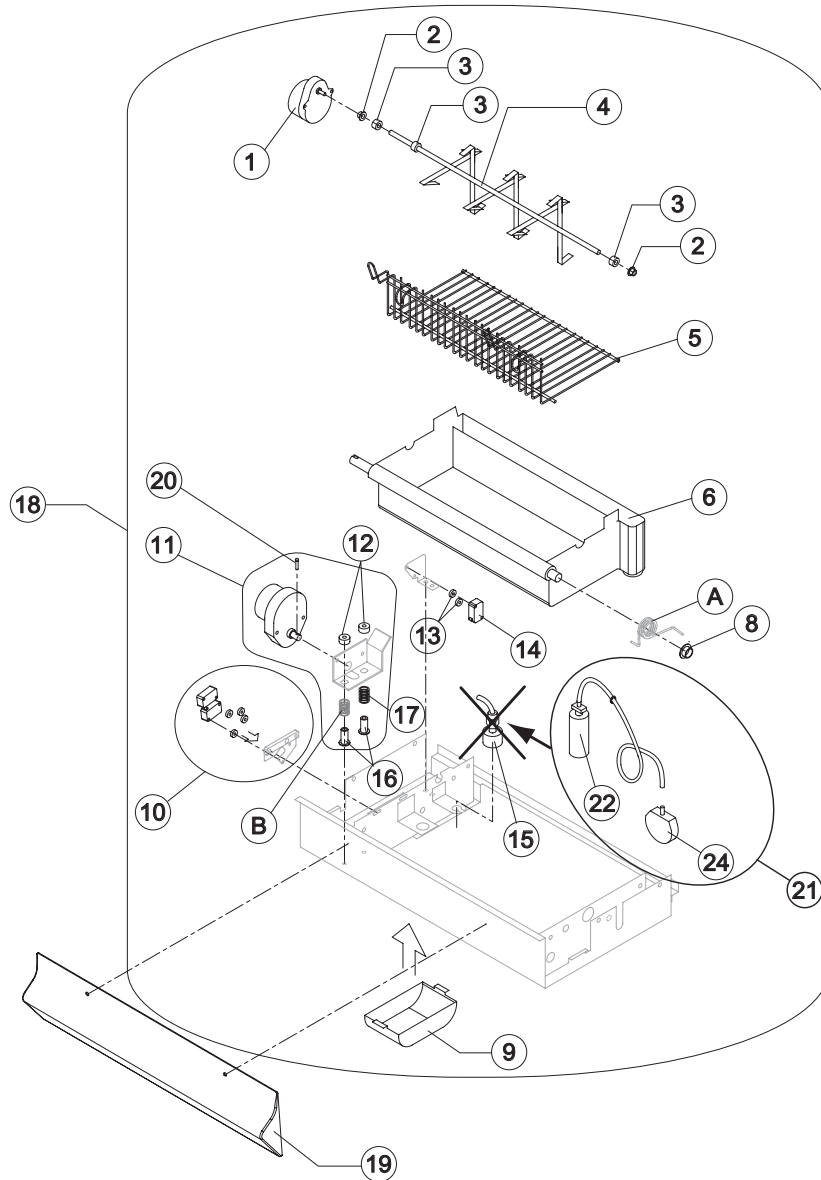
Rev. 12 - 12/03/2019



IMF 58

EVAPORATOR SUPPORT

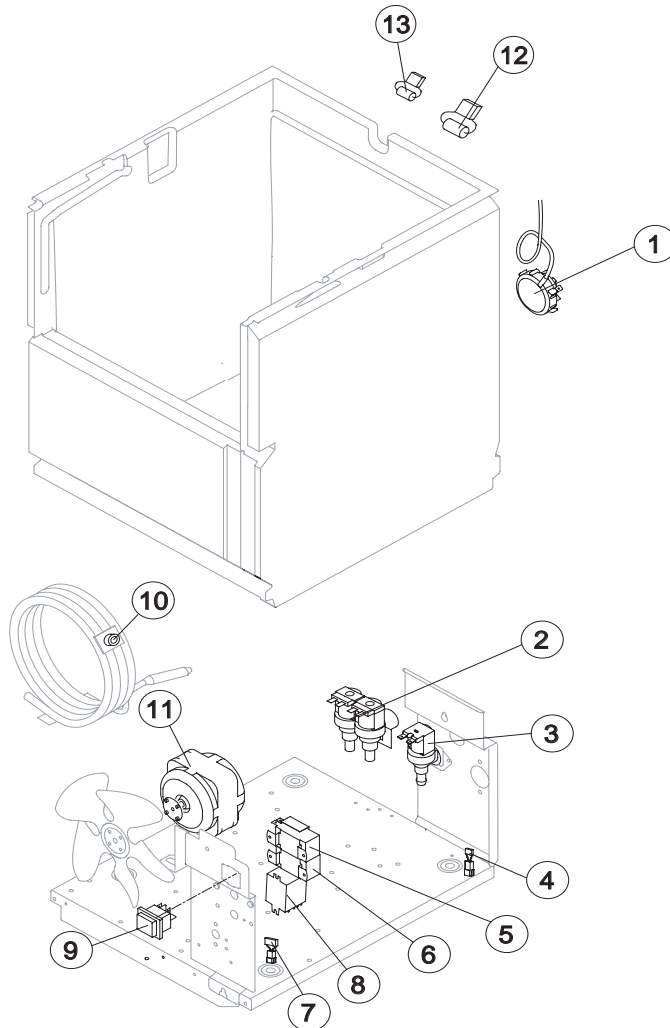
till s/n. 497152



Rif.	Descrizione Ricambio	Codice
1	Gearmotor (Paddles)	23802
2	Self-Lubricating Bush 06/06	20230
3	Shaft Stop Ring	20227
4	Shaft with Paddles	20818
5	Internal Basin Slide	12075
6	Water Basin with Pivot	C10491
8	Self-Lubricating Bush 12/07	20231
9	Gearmotor (Paddles) Protection	10483
10	2 Microswitches (Basin - NC) Support Assembly	C23803
11	Gearmotor (Turnover Basin) with Support assy	C26742
12	Special Ring	20808
13	Switch Shimming Ring	10250
14	Microswitch (Paddles - NO)	23804
15	Electromagnetic Level Switch	replaced by ref. 22
16	Threaded Pivot	20807
17	Spring (Gearmotor Support)	20809
18	Evaporator Support Plate Assembly	C22142
19	Basin Protection	10509
20	Shaft Pin for Gearmotor (Turnover Basin)	20814
21	Water Level Pressure Switch Assy	KIT23870
22	Air Trap with Pipe	C10537
24	Water Level Pressure Switch	23870



Eliminated the Lightening Spring ref. A and one Gearmotor Support Spring ref. B, suggested removal even from the models where they are present.



Common Parts

Ref.	Spare Description	Code
1*	Water Level Pressure Switch	23870
4	Anti Radio Interference Filter	C23458
5*	Condenser Pressure Switch	23175
6*	Bin Thermostat	R23005
8*	Relay	23190
9*	Green Light Switch(On-Off)	23327
12*	Capacitor 0,068 μ F	23798
13*	Capacitor 0,12 μ F	Current Version 231336
13*	Capacitor 0,068 μ F	Till s/n. 946067 23798

Parts for Air-Cooled Version Only

Ref.	Spare Description	Code
3*	1 Way- Water Inlet Valve	23220
7	Anti Radio Interference Filter	C23459
11*	Fan Motor	23029

Parts for Water-Cooled Version Only

Ref.	Spare Description	Code
2*	2 Ways- Water Inlet Valve	23501
7	Anti Radio Interference Filter	C23457
10*	Safety Thermostat Switch	C23114