



*SHELL ASSY*

*EVAPORATOR*

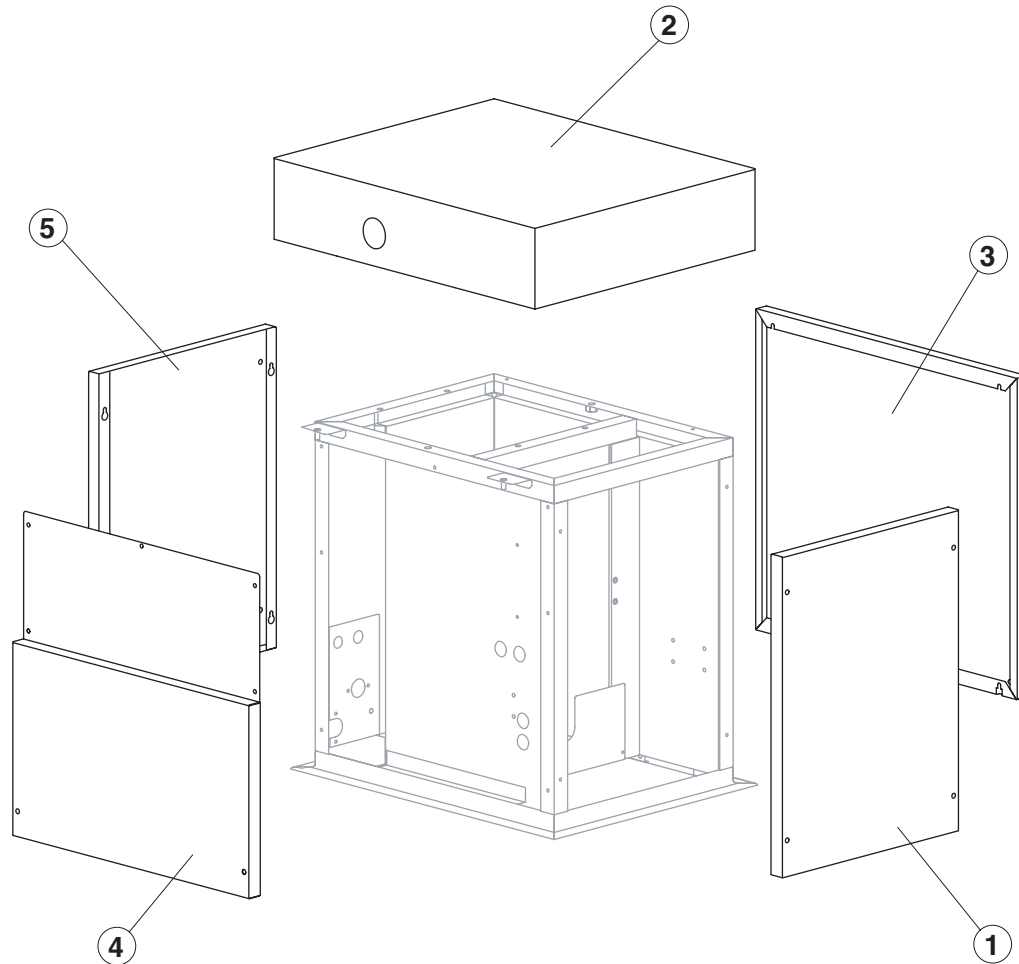
*PUMP*

*ELECTRIC PARTS*



# MUSTER 350 SPLIT

# SHELL ASSY



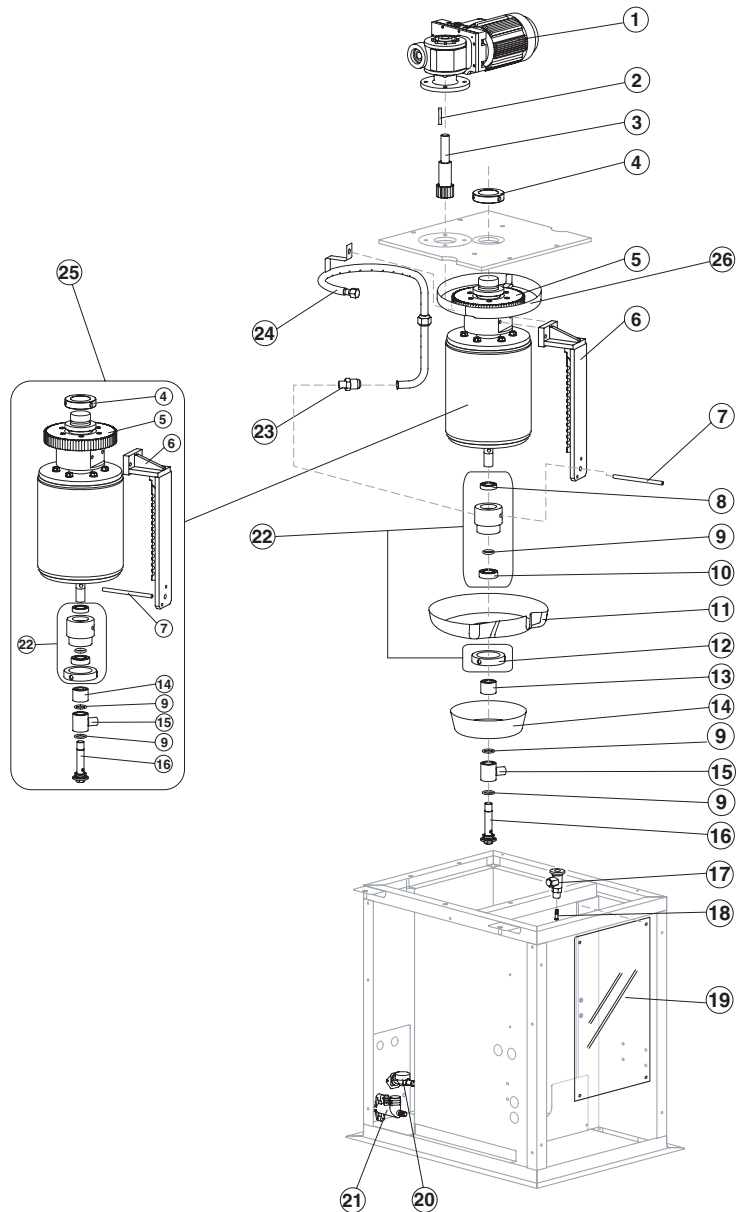
<i>Ref.</i>	<i>Spare Description</i>	<i>Code</i>
1	Front Panel	22469
2	Top Assembly	C22990
3	Right Side Panel	22425
4	Left Side Panel	22989
5	Rear Panel	22991

Rev. 12 - 12/03/2019



# MUSTER 350 SPLIT

# EVAPORATOR



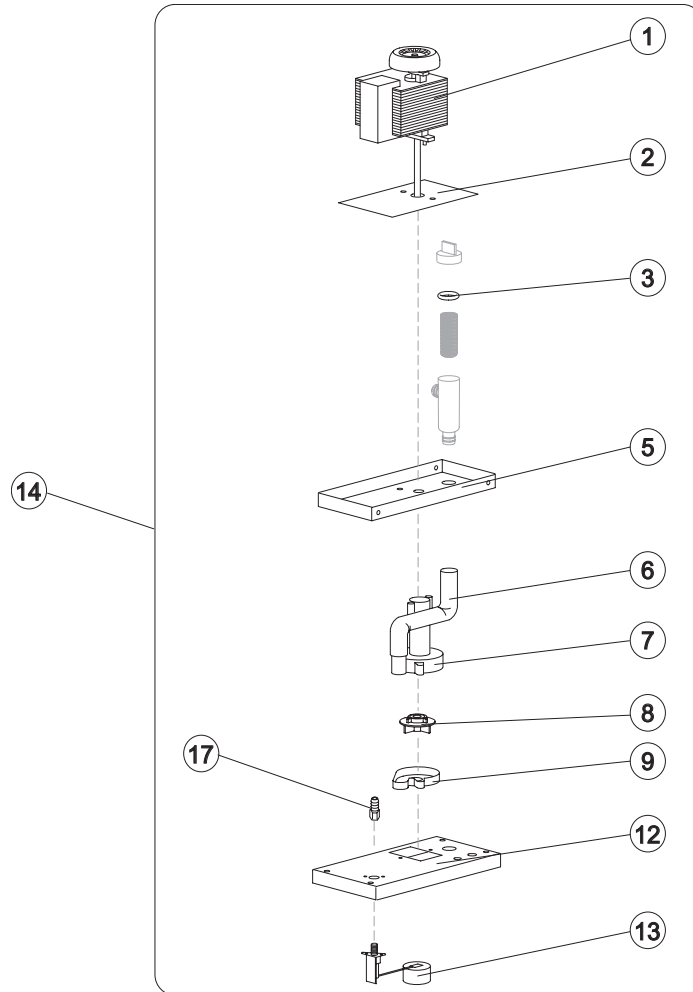
Ref.	Spare Description	Code
1	Gearmotor Assy	C23412
2	Key 6x6x40	20350
3	Pinion with Shaft for Gearmotor	C20344
4	Cylinder Locking Ring Nut	20324
5	Ring Gear	20354
6	Scraper	20846
7	M8 Tie Rod (to Block Scraper)	20329
8	Stainless Steel Bearing	20531
9	Silicone OR 4081 in Ring	20338
10	Stainless Steel Bearing	20045
11	Rotating Basin	10184
12	Ring Nut for Rotating Ring	10182
13	Spacer	10519
14	Fixed Basin	C10598
15	Water Inlet Ring	20851
16	Screw	20849
17	Expansion Valve	20734
18	Orifice	Current Version 20943
18	Orifice	Till s/n. 471184 20797
19	Evaporator Chamber Shield	10523
20	1 Way- Water Inlet Nipple	10368
21	Discharge Manifold	10580
22	Complete Rotating Ring	C10180
23	Joint	20335
24	Sprayer Ring	C20858
25	Evaporator	C11253
26	Ring Gear Cover	From s/n. 551986 C10629

Rev. 12 - 12/03/2019

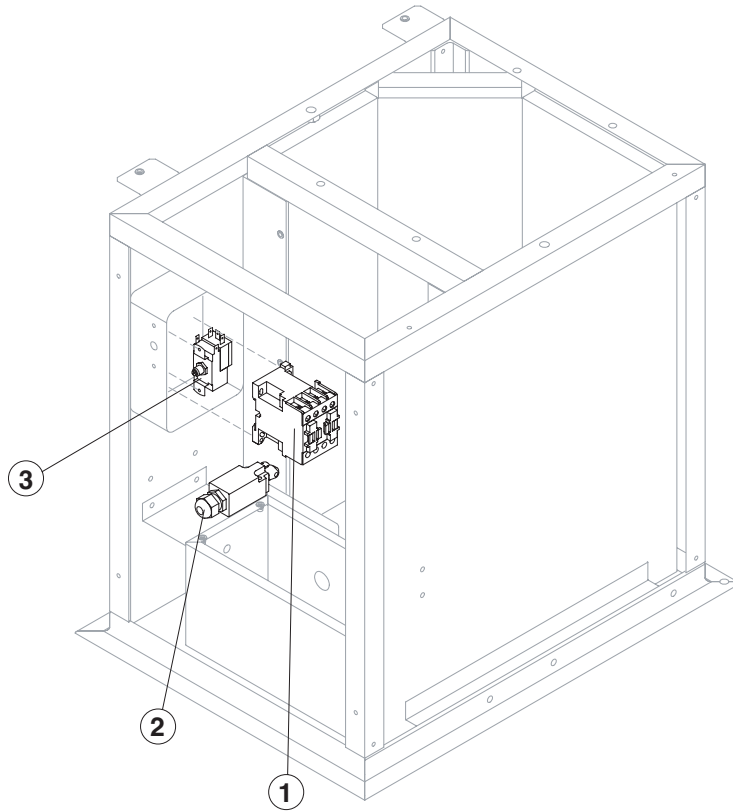


# MUSTER 350 SPLIT

# PUMP



Ref.	Spare Description	Code
1	Pump	R23073
2	Heat Dissipator	22430
3	Pump Filter Gasket	13080
5	Pump Motor Support	10161
6	Pump-Filter Connection Pipe	13084
7	Pump Body	10065
8	Pump Impeller	10190
9	Diffusor	10067
12	Water Pump Basin Cover	22420
13*	Floating Valve	10188
14*	Pump and Filter Assy	C26736
17	Connection	20799



Ref.	Spare Description	Code
1*	Contactor	23594
2	Microswitch for Overflow Ice	23746
3*	Bin Thermostat	R23005