

APPRIA II

IMPIANTO ELETTRICO / ELECTRIC SYSTEM / INSTALLATION

ELECTRIQUE Appia S 2/3 GR.

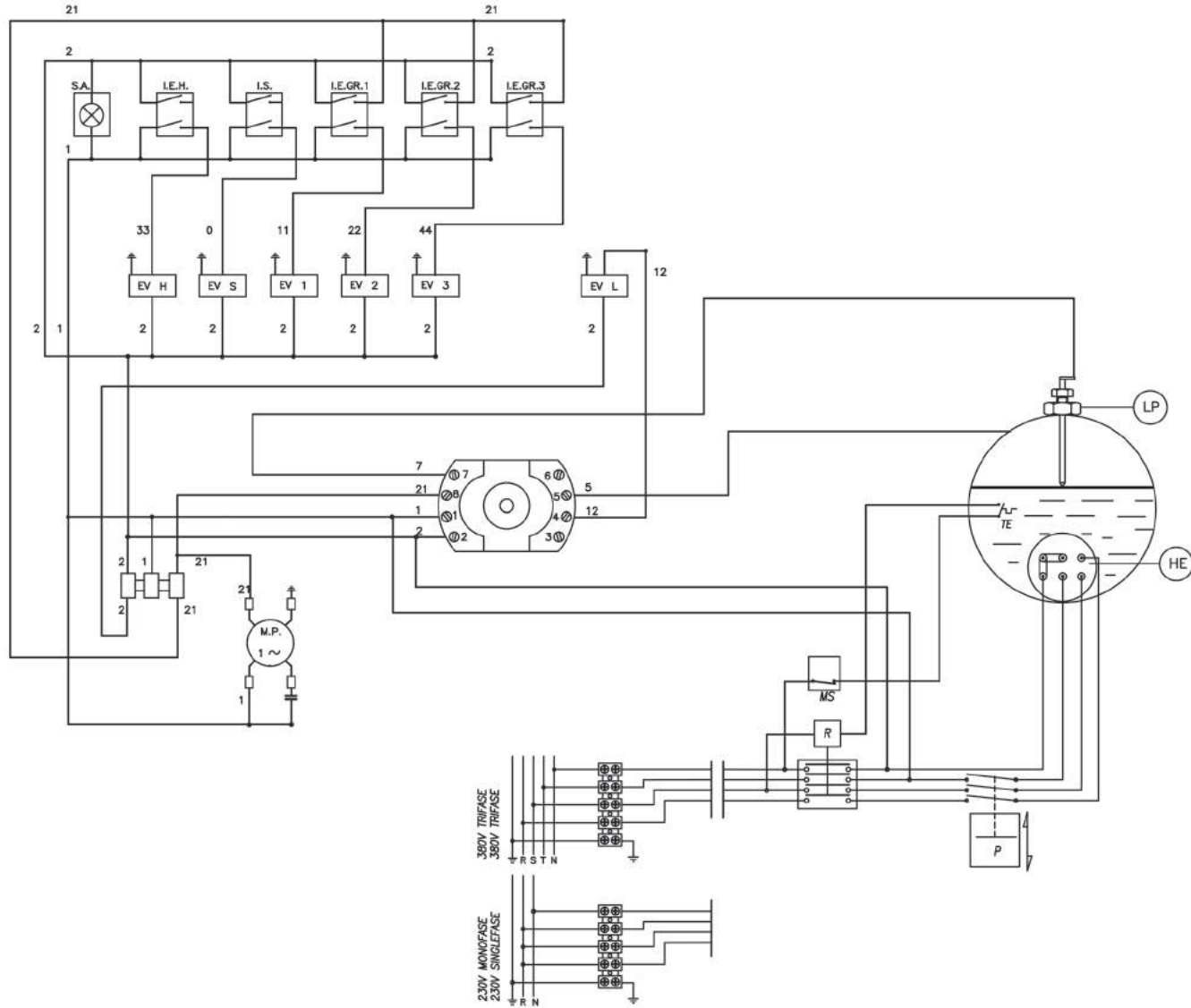


Fig. 33

IMPIANTO ELETTRICO / ELECTRIC SYSTEM / INSTALLATION **ELECTRIQUE Appia S 2/3 GR.**

LEGENDA

EV H
Elettrovalvola vapore/acqua calda
EV S
Elettrovalvola scaldatazze
EV1-2-3
Elettrovalvola erogazione gruppo
MP
Motore pompa
I.S
Interruttore scaldatazze
I.E.H.
Interruttore acqua calda
I.E.GR.1-2-3
Interruttore gruppo 1-2-3
R
Relè
P
Pressostato
EV L
Elettrovalvola livello
MS
Interruttore generale
HE
Resistenza
LP
Sonda livello
TE
Termostato sicurezza
S.A.
Lampada spia

KEY

EV H
Steam / hot water solenoivalve
EV S
Cup warmer solenoid valve
EV1-2-3
Group delivery solenoid valve
MP
Pump motor
I.S
Cup warmer switch
I.E.H.
Hot water switch
I.E.GR.1-2-3
Switch for groups 1-2-3
R
Relay switch
P
Pressure switch
EV L
Level solenoid valve
MS
Main switch
HE
Heating element
LP
Level probe
TE
Safety thermostat
S.A.
Indicator light

LÉGENDE

EV H
Electrovanne vapeur / eau chaude
EV S
Electrovanne chauffe-tasses
EV1-2-3
Electrovanne de distribution groupe
MP
Moteur pompe
I.S
Interrupteur chauffe-tasses
I.E.H.
Interrupteur eau chaude
I.E.GR.1-2-3
Interrupteur groupe 1-2-3
R
Relais
P
Pressostat
EV L
Electrovanne de niveau
MS
Interrupteur général
HE
Résistance
LP
Sonde niveau
TE
Thermostat de sécurité
S.A.
lampe témoin

IMPIANTO ELETTRICO | ELECTRIC SYSTEM | INSTALLATION

ELECTRIQUE Appia V 2 GR.

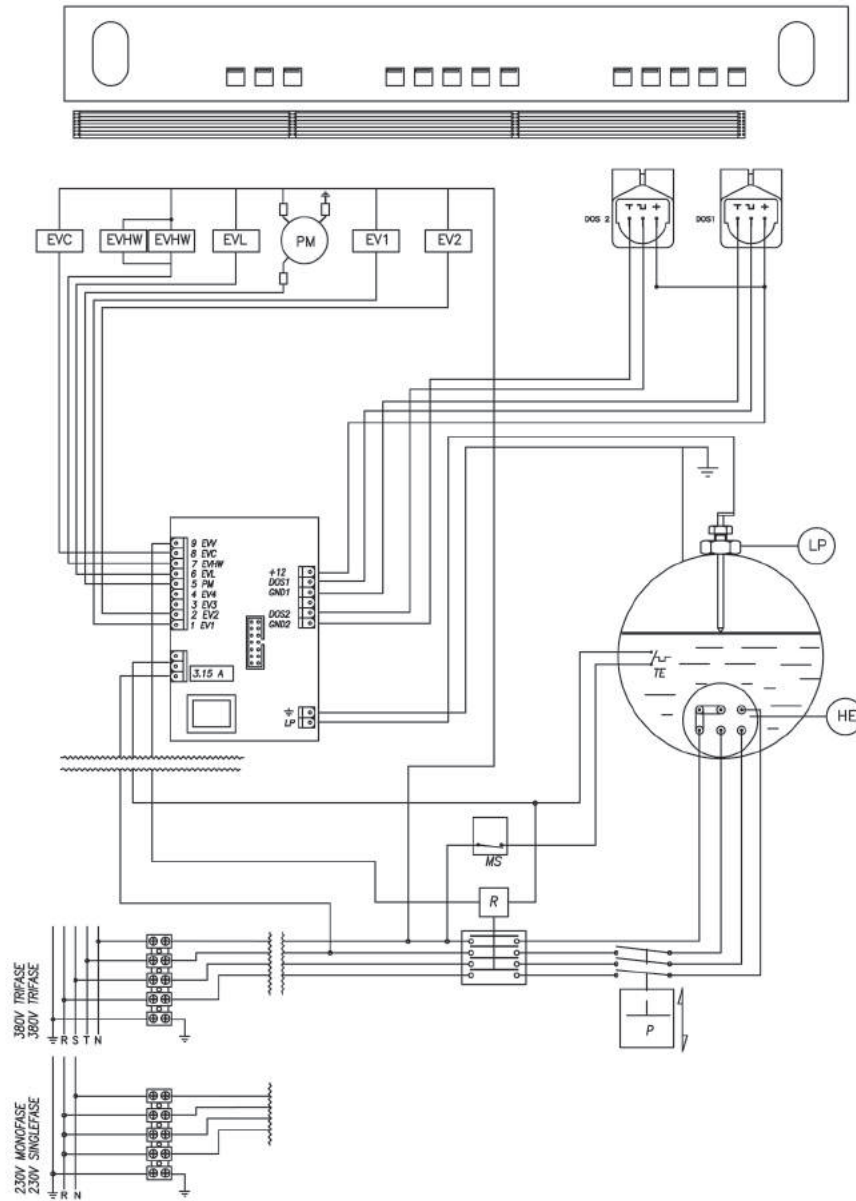


Fig. 34

IMPIANTO ELETTRICO / ELECTRIC SYSTEM / INSTALLATION

ELECTRIQUE Appia V 2 GR.

LEGENDA

EVC

Elettrovalvola scaldatazze

EVHW

Elettrovalvola miscelatore acqua calda

EV L

Elettrovalvola livello

EV1-2-3

Elettrovalvola erogazione gruppo

PM

Motore pompa

Dose

Ventolino

HE

Resistenza

LP

Sonda livello

TE

Termostato sicurezza

R

Relè

P

Pressostato

MS

Interruttore generale

TP

Sonda temperatura

KEY

EVC

Cup warmer solenoid valve

EVHW

Hot water mixer solenoid valve

EV L

Level solenoid valve

EV1-2-3

Group delivery solenoid valve

PM

Pump motor

Dose

Fan

HE

Heating element

LP

Level probe

TE

Safety thermostat

R

Relay switch

P

Pressure switch

MS

Main switch

TP

Sonda temperatura

LÉGENDE

EVC

Electrovanne chauffe-tasses

EVHW

Electrovanne mélangeur eau chaude

EV L

Electrovanne de niveau

EV1-2-3

Electrovanne de distribution groupe

PM

Moteur pompe

Dose

Ventilateur

HE

Résistance

LP

Sonde niveau

TE

Thermostat de sécurité

R

Relais

P

Pressostat

MS

Interrupteur général

TP

Sonde température

IMPIANTO ELETTRICO / ELECTRIC SYSTEM / INSTALLATION ELECTRIQUE *Appia V 3 GR.*

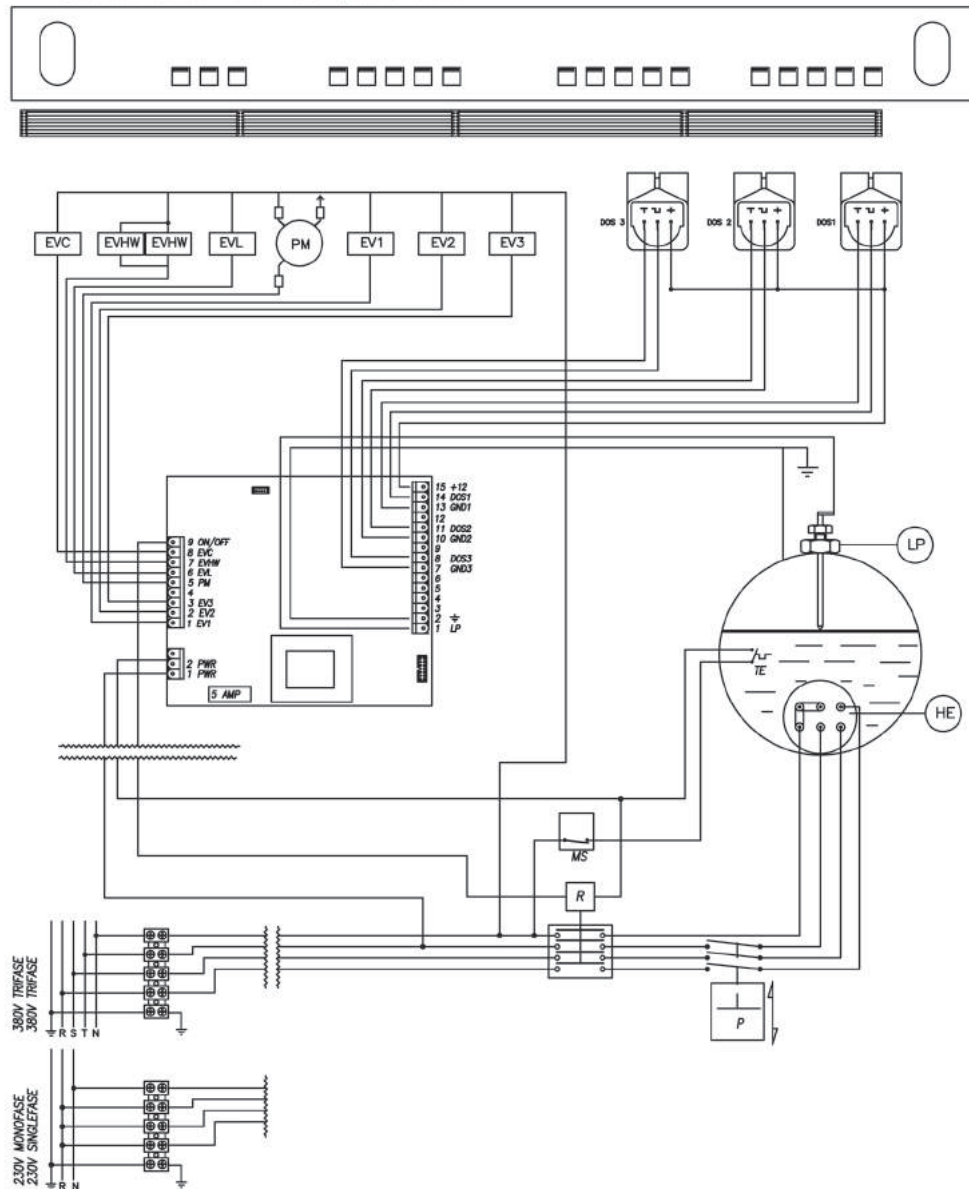


Fig. 35

IMPIANTO ELETTRICO / ELECTRIC SYSTEM / INSTALLATION

ELECTRIQUE Appia V 3 GR.

LEGENDA

EVC
Elettrovalvola scaldatazze

EVHW
Elettrovalvola miscelatore acqua calda

EV L
Elettrovalvola livello

EV1-2-3
Elettrovalvola erogazione gruppo

PM
Motore pompa

Dose
Ventolino

HE
Resistenza

LP
Sonda livello

TE
Termostato sicurezza

R
Relè

P
Pressostato

MS
Interruttore generale

TP
Sonda temperatura

KEY

EVC
Cup warmer solenoid valve

EVHW
Hot water mixer solenoid valve

EV L
Level solenoid valve

EV1-2-3
Group delivery solenoid valve

PM
Pump motor

Dose
Fan

HE
Heating element

LP
Level probe

TE
Safety thermostat

R
Relay switch

P
Pressure switch

MS
Main switch

TP
Sonda temperatura

LÉGENDE

EVC
Electrovanne chauffe-tasses

EVHW
Electrovanne mélangeur eau chaude

EV L
Electrovanne de niveau

EV1-2-3
Electrovanne de distribution groupe

PM
Moteur pompe

Dose
Ventilateur

HE
Résistance

LP
Sonde niveau

TE
Thermostat de sécurité

R
Relais

P
Pressostat

MS
Interrupteur général

TP
Sonde température