



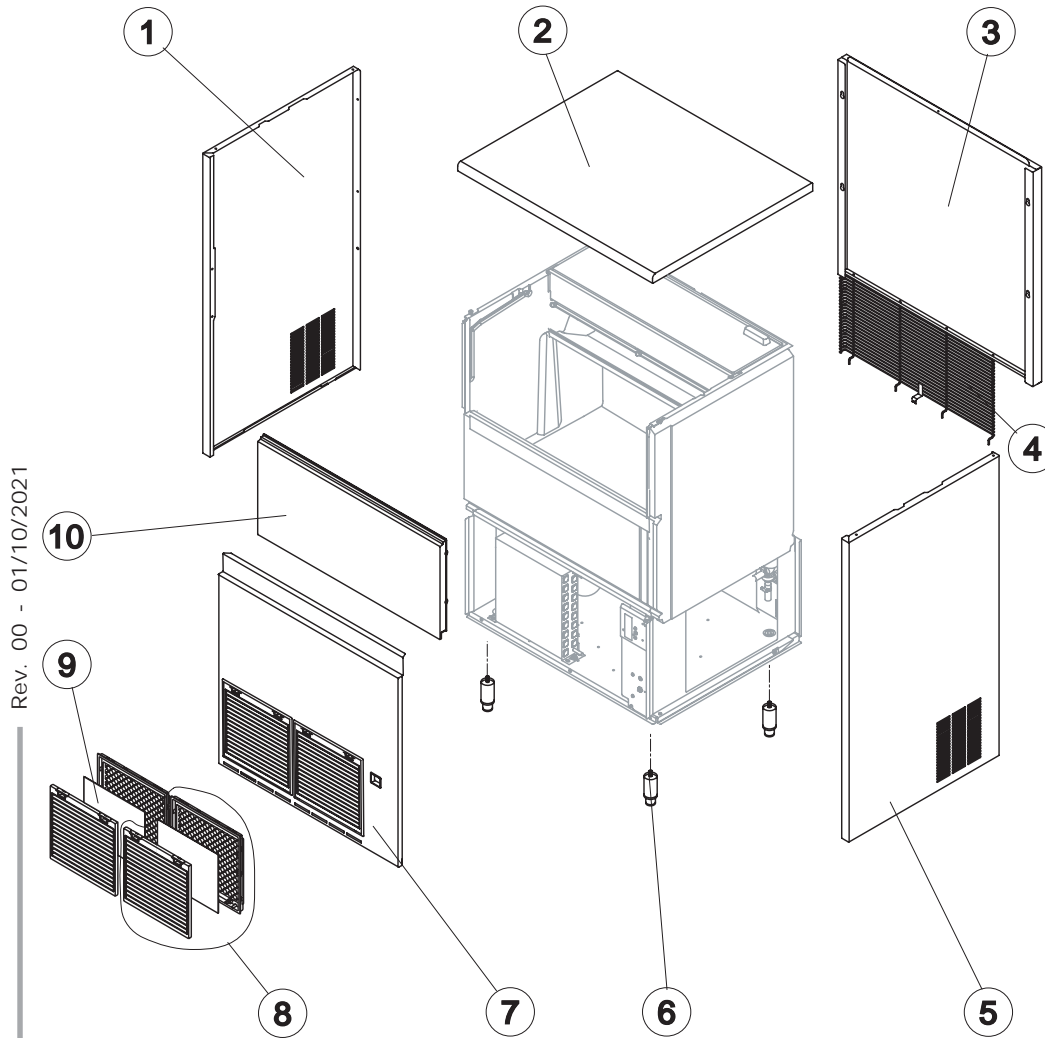
SHELL ASSY

COOLING SYSTEM

HYDRAULIC CIRCUIT

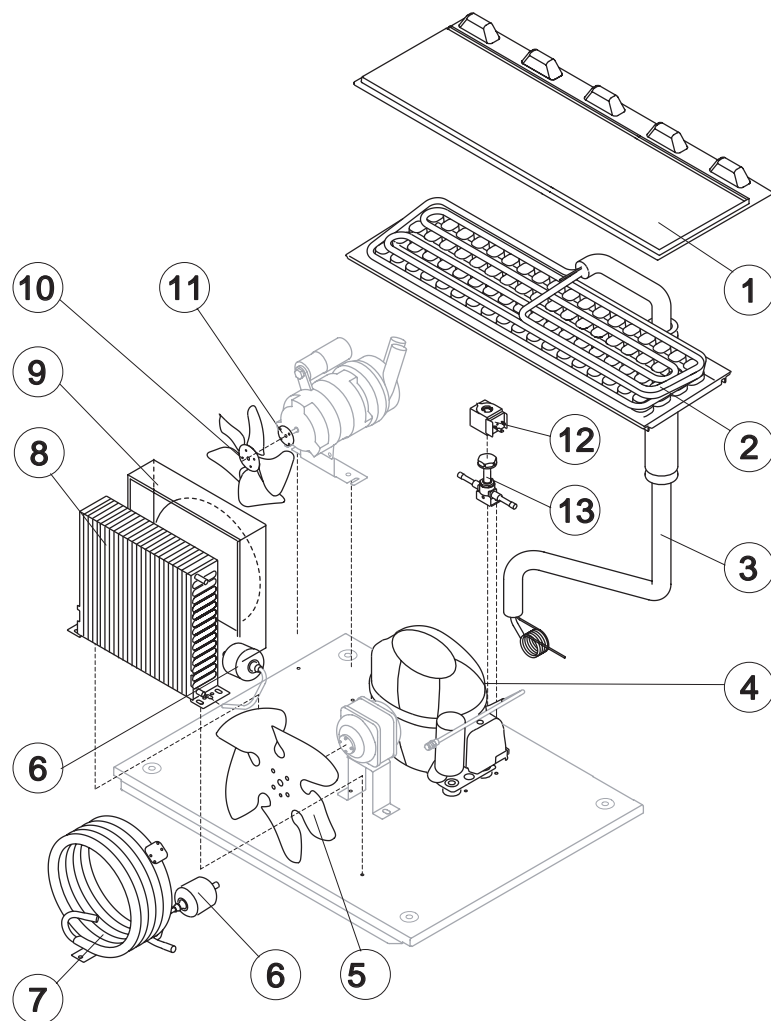
HYDRAULIC CIRCUIT DP

ELECTRICAL PARTS



Rev. 00 - 01/10/2021

Ref.	Spare Description	Code
1	Left Side Panel Assembly	C222131
2	Top	222009
3	Rear Side Panel	21583
4	Back grill	D12141
5	Right Side Panel Assembly	C222132
6	Adjustable Foot	20613
7	Front Panel	C222033
8	Grid whit Filter Assembly	C10205
9	Filter	18106
10	Door Assembly	C10275



Common Parts

Ref.	Spare Description	Code
1	Evaporator Cover Panel	10514
2	Evaporator Assy	See Table
3	Suction Line	for the spare parts code give us the s/n.
4	Compressor	See Table
6*	Solid Core Drier	14089
10	Sucking Fan	10213
11	Fan Fixing Hub	10014
12*	Hot Gas Valve Coil	231294
13*	Hot Gas Valve Body	201129

Parts for Air-Cooled Version Only

Ref.	Spare Description	Code
5	Sucking Fan	20031
8	Air Condenser	20264
9	Conveyor	10163

Parts for Water-Cooled Version Only

Ref.	Spare Description	Code
7	Water Condenser	14034

R2f. 2 - Evaporator

Kind of Cube	Code
18 g. (Standard)	D10047
33 g.	D10090
13 g.	D10418
42 g.	D10480

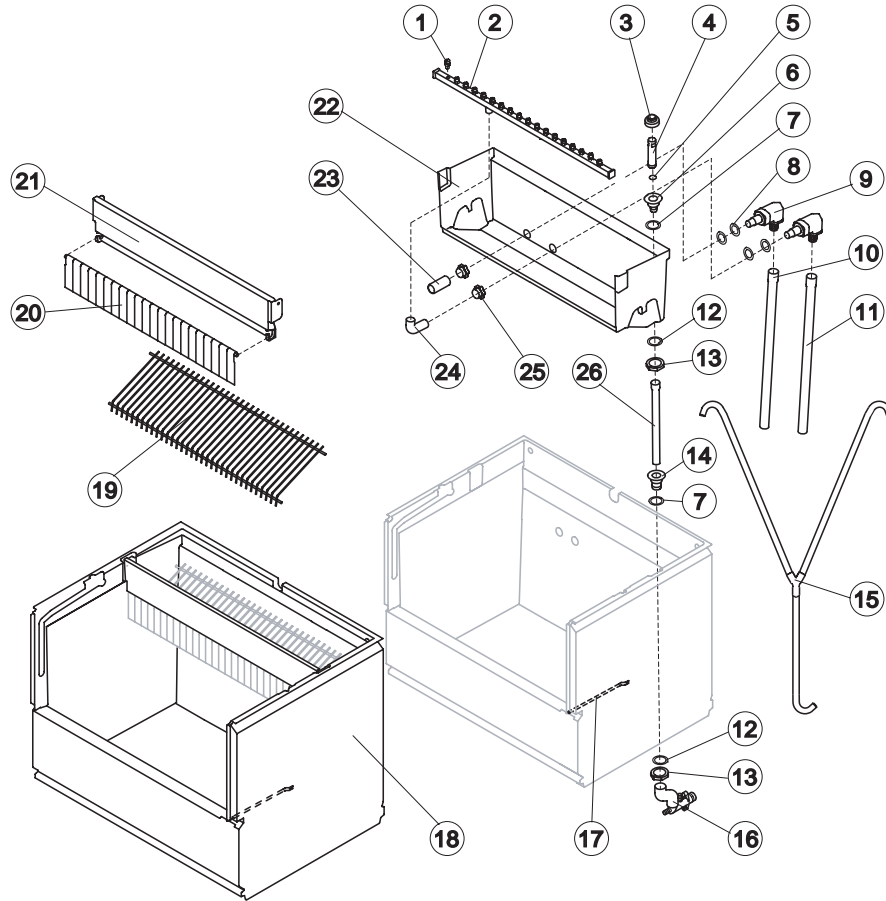
Ref. 4 - Compressor

Voltage	Code
220/240V 50 Hz	23875
220V 60 Hz	231307



CB 955 New

HYDRAULIC CIRCUIT only for CB840A and CB840W



Common Parts

Ref.	Spare Description	Code
1	Sprayer	D20002
2*	Sprayers Bar Assembly	Vedi Tabella
3*	Overflow Cap	10305
4*	Overflow Pipe	10133
5*	OR Gasket for Overflow Pipe	20233
6	Overflow Pipe Nipple	10471
7	Gasket	13219
8	Gasket for Pump Suction/Delivery Pipes	13220
9	Insulated Pump Suction/Delivery Fitting	C10653
10	Insulated Pump Suction Pipe	C13175600
11	Insulated Pump Delivery Pipe	C13175600
12	Semirigid Polyethylene Gasket	13007
13	Bin Discharge Nut	10096
14	Water Outlet Nipple	10472
15*	Water Supply Pipe to the Evaporator	C13183
17	Bulbe-holder Pipe	20521
18	Complete Basin Assembly	C11260
19*	Ice Cubes Slide	Vedi Tabella
20	Rod with Flags	10775
21	Flags ABS Support	10760
22	Inner Basin	10034
22	Pump Suction Filter	20005
24	Sprayers Feeding Pipe	13005
25	Fittings Locking Ring	10654
26*	Overflow Pipe	13110

Rev. 00 - 01/10/2021

Ref. 2* - Sprayers Bar Assembly

Kind of Cube	Code
18 g. (Standard)	C20058
33 g.	C20156
13 g.	C20190
42 g.	C20802

Ref. 19* - Ice Cubes Slide

Kind of Cube	Code
18 g. (Standard)	D12017
33 g.	D12031
13 g.	D12039
42 g.	D12071

Parts for Air-Cooled Version Only

Ref.	Spare Description	Code
16	Discharges Manifold	C10006

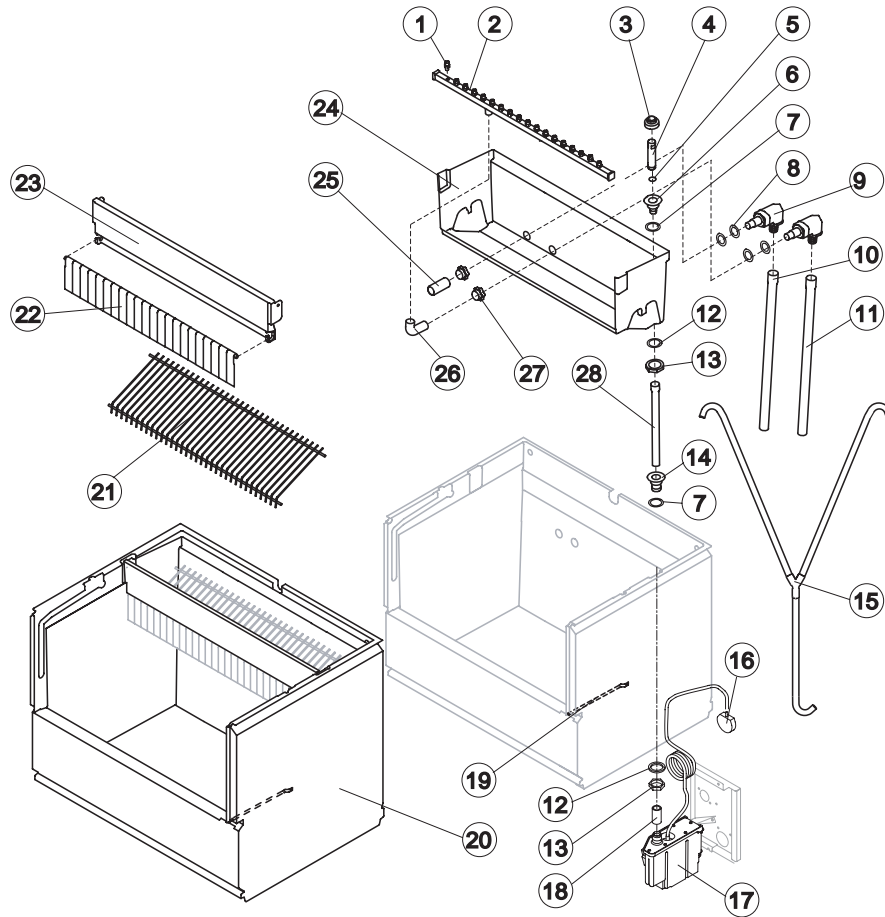
Parts for Water-Cooled Version Only

Ref.	Spare Description	Code
16	Discharges Manifold	C26452



CB 955 New

HYDRAULIC CIRCUIT only for CB840A DP



Common Parts

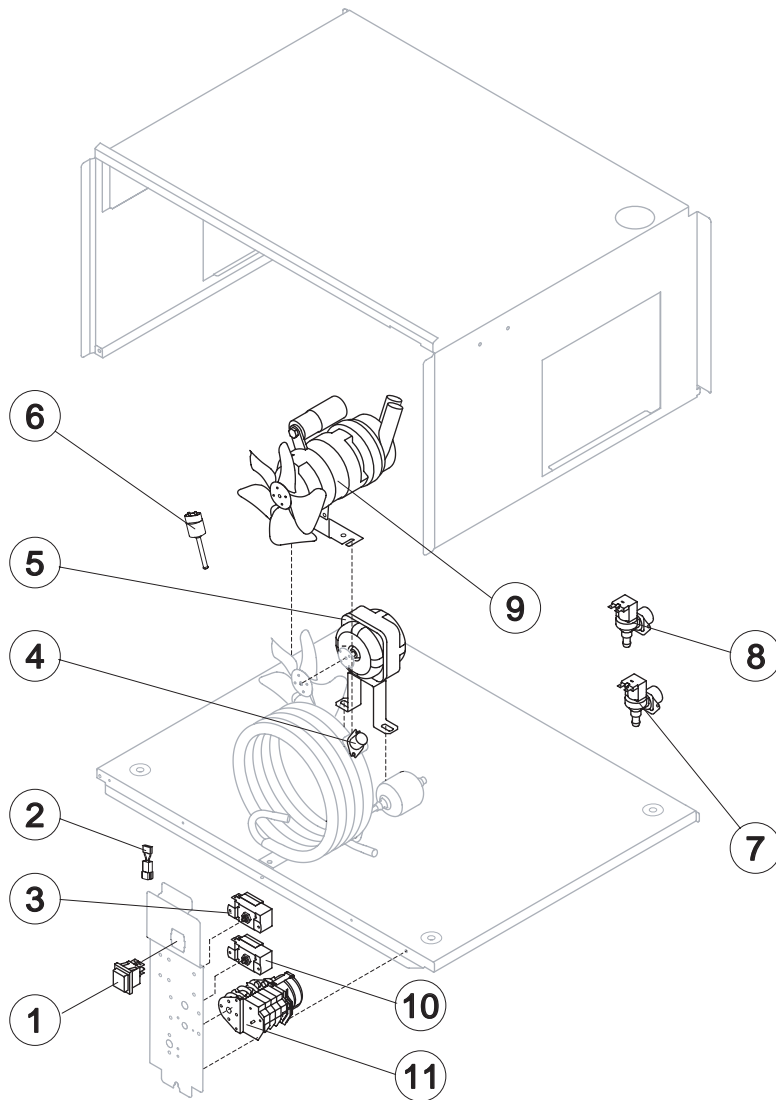
Ref.	Spare Description	Code
1	Sprayer	D20002
2*	Sprayers Bar Assembly	Vedi Tabella
3*	Overflow Cap	10305
4*	Overflow Pipe	10133
5*	OR Gasket for Overflow Pipe	20233
6	Overflow Pipe Nipple	10471
7	Gasket	13219
8	Gasket for Pump Suction/Delivery Pipes	13220
9	Insulated Pump Suction/Delivery Fitting	C10653
10	Insulated Pump Suction Pipe	C13175600
11	Insulated Pump Delivery Pipe	C13175600
12	Semirigid Polyethylene Gasket	13007
13	Bin Discharge Nut	10096
14	Water Outlet Nipple	10472
15*	Water Supply Pipe to the Evaporator	C13183
16	Drain Pump Pressure Switch	C231230
17	Drain Pump	RC231225
18	Bin Discharge-Drain Pump Connection	C13175190
19	Bulbe-holder Pipe	20521
20	Complete Basin Assembly	C11260
21*	Ice Cubes Slide	Vedi Tabella
22	Rod with Flags	10775
23	Flags ABS Support	10760
24	Inner Basin	10034
25	Pump Suction Filter	20005
26	Sprayers Feeding Pipe	13005
27	Fittings Locking Ring	10654
28*	Overflow Pipe	13110

Ref. 2* - Sprayers Bar Assembly

Kind of Cube	Code
18 g. (Standard)	C20058
13 g.	C20190

Ref. 21* - Ice Cubes Slide

Kind of Cube	Code
18 g. (Standard)	D12017
13 g.	D12039



Common Parts

Ref.	Spare Description	Code
1*	Green Light Switch (On-Off)	23327
3*	Bin Thermostat	23005
8*	1 Way- Water Inlet Valve (evaporator inlet)	23001
9*	Pump Assembly	RC23377
10*	Evaporator Thermostat	23591
11*	Timer	See Table

Parts for Air-Cooled Version Only

Ref.	Spare Description	Code
2	Anti Radio Interference Filter	C23459
5*	Fan Motor	23067
6*	Condenser Pressure Switch	231340

Parts for Water-Cooled Version Only

Ref.	Spare Description	Code
2	Anti Radio Interference Filter	C23457
4*	Safety Thermostat	C23114
6*	Condenser Pressure Switch	231346
7*	1 Way- Water Inlet Valve (water condenser inlet)	23001

Ref. 11* - Timer

Voltage	Cube 18g	Cube 33g	Cube 13g	Cube 42g
220/240V 50 Hz	23222	23248	23247	23780
220V 60 Hz	231078	231080	231077	231080