



**Self-contained ice maker - Paddle system**  
Daily production up to 31 kg

|               |                      |
|---------------|----------------------|
| Hotel         | ████████████████████ |
| Restaurant    | ████████████████████ |
| Fast food     | ████████████████████ |
| Bar           | ████████████████████ |
| Disco         | ████████████████████ |
| Fish market   | ████████████████████ |
| Supermarket   | ████████████████████ |
| Medical & SPA | ████████████████████ |
| Industry      | ████████████████████ |

► Position n°



► Features & Plus

- Hollow cube
- AISI 304 SS Scotch Brite finish
- Tropical class +43°C
- Removable and cleanable air filter
- Air or water cooling system
- Easy cleanable internal rounded surfaces
- HCFC-Free insulated storage
- FDA approved -ABS water basin
- Basin tipping safety system
- RoHS Free
- Disappearing insulated door
- Electromechanical operation
- ON-OFF rocker switch
- Automatic water charge
- Standard and special voltages
- HFC Free



AISI 304 SS Scotch Brite finish



Removable and cleanable air filter

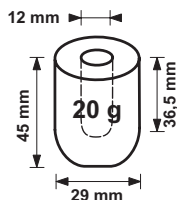


FDA approved - ABS water basin



Disappearing insulated door

► Available ice cube size



► Prod. 24h

| Air temp. | Water temp. | kg    | lbs   |      |       |
|-----------|-------------|-------|-------|------|-------|
|           |             | 10° C | 50° F | 7° C | 45° F |
| 21° C     | 70° F       | 15° C | 60° F | 22   | 49    |

**2 Years Warranty**  
subject to limitations

► Certifications available for this model



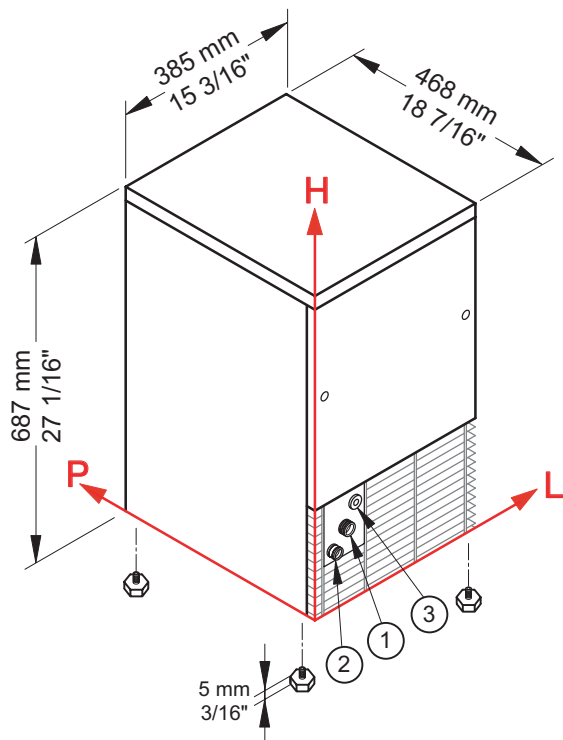


Ice Finger

# IMF 28 HC



Self-contained ice maker - Paddle system  
Daily production up to 31 kg



## ► Working conditions

- Location: **Indoor**

|                      | Min             | Max             |
|----------------------|-----------------|-----------------|
| Ambient temperature  | +10° C / +50° F | +43° C / 110° F |
| Water temperature    | +3° C / +37° F  | +32° C / +90° F |
| Voltage              | -10%            | +10%            |
| Water inlet pressure | 1bar (14 psi)   | 6bar (84 psi)   |

## ► Performances

|  | Air temperature | Water temperature | Water temperature |        |       |        |       |
|--|-----------------|-------------------|-------------------|--------|-------|--------|-------|
|  |                 |                   | 7° C              | 45° F  | 15° C | 60° F  | 21° C |
|  | 10° C           | 31 kg             |                   |        |       |        |       |
|  | 50° F           | 68 lbs            |                   |        |       |        |       |
|  | 21° C           |                   | 22 kg             |        |       |        |       |
|  | 70° F           |                   |                   | 49 lbs |       |        |       |
|  | 32° C           |                   |                   |        | 16 kg |        |       |
|  | 90° F           |                   |                   |        |       | 35 lbs |       |

## ► Connections

All measures are referred to the rear bottom-left corner (L-H-Ø)

- ① Water in.: 111 mm / 4 6/16" - 175 mm / 6 14/16" - 3/4"      ② Water out.: 49 mm / 1 15/16" - 130 mm / 5 2/16" - 24 mm / 15/16"  
③ Electrical connections: 156 mm / 6 2/16" - 211 mm / 8 5/16"

## ► Technical information

|                           |                   |                            |  |
|---------------------------|-------------------|----------------------------|--|
| Production in 24h         | 22 kg / 49 lbs    | Water consumption          | A: 3 l/kg - 36 gal/100 lbs             |
| Store capacity, up to     | 8 kg / 18 lbs     |                            | W: 17 l/kg - 204 gal/100 lbs           |
| Cooling system            | A - W             | Sizes (L-P-H mm)           | 385 - 468 - 687                        |
| Kind of cube              | A-20g             | (L-P-H in)                 | 15 3/16 - 18 7/16 - 27 1/16            |
| Refrigerant               | R290              | Sizes with pack (L-P-H mm) | 440 - 520 - 880                        |
| Standard voltage          | 220-240 V ~ 50 Hz | (L-P-H in)                 | 17 5/16 - 20 8/16 - 34 10/16           |
| Average power consumption | 300 W             | Net weight                 | 38 kg / 84 lbs                         |
| Fuse                      | 10 A              | Gross weight               | 45 kg / 99 lbs                         |
| Electrical consumption    | 31 kWh/100kg      | Finish                     | AISI 304 stainless steel, scotch brite |

All the technical information must be considered at the following conditions:

- Sizes without feet
- Standard Cube (20 g)
- Ambient temperature +21° C
- Water temperature +15° C
- Electrical consumption at +32° C (standard voltage)
- Average power consumption at +43° C (standard voltage)

Models and specifications are subject to change without notice

Rev. 00 - Issued March 2021



[www.bremaice.it](http://www.bremaice.it)  
info@bremaicegroup.it

We are Brema

