



*G 160 HC*

# LIST OF THE EXPLODED VIEWS



*SHELL ASSY*

*COOLING SYSTEM*

*EVAPORATOR*

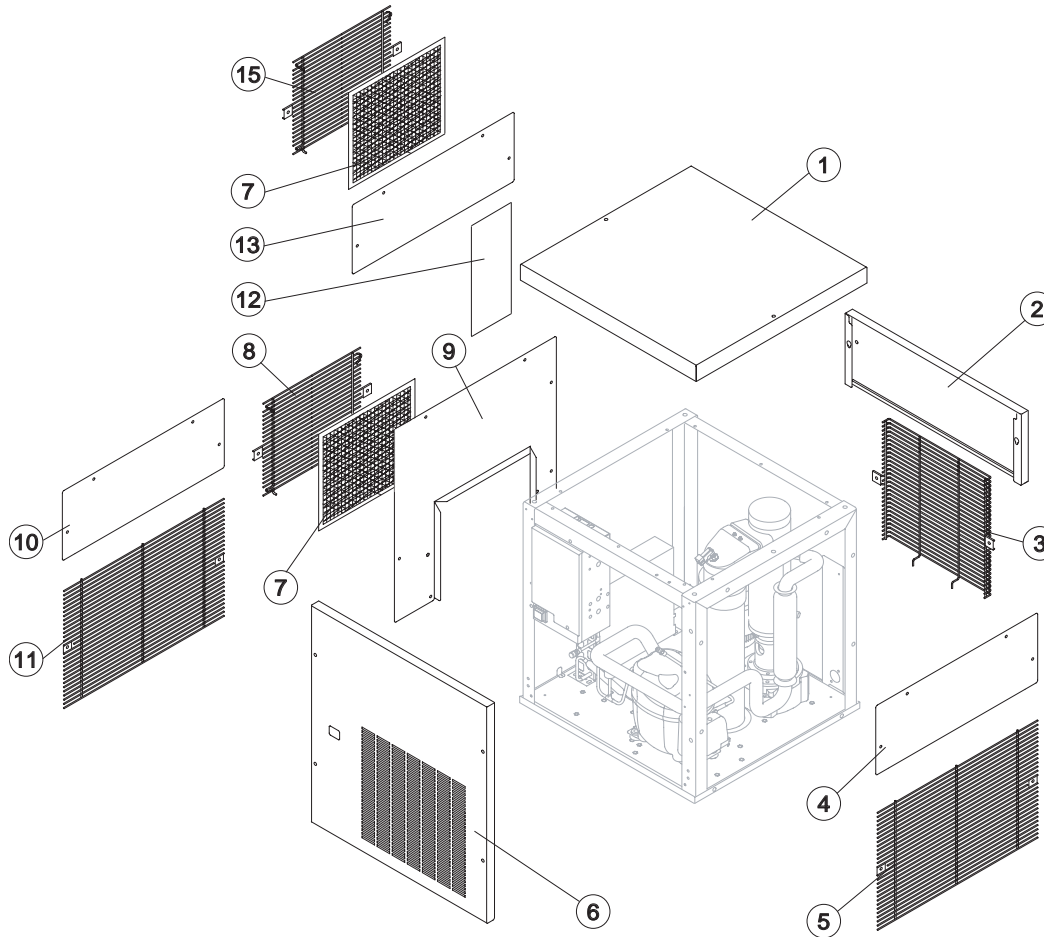
*HYDRAULIC CIRCUIT*

*ELECTRIC PARTS*

Rev. 1b - 26/02/2018



Rev. 1b - 26/02/2018



### Common Parts

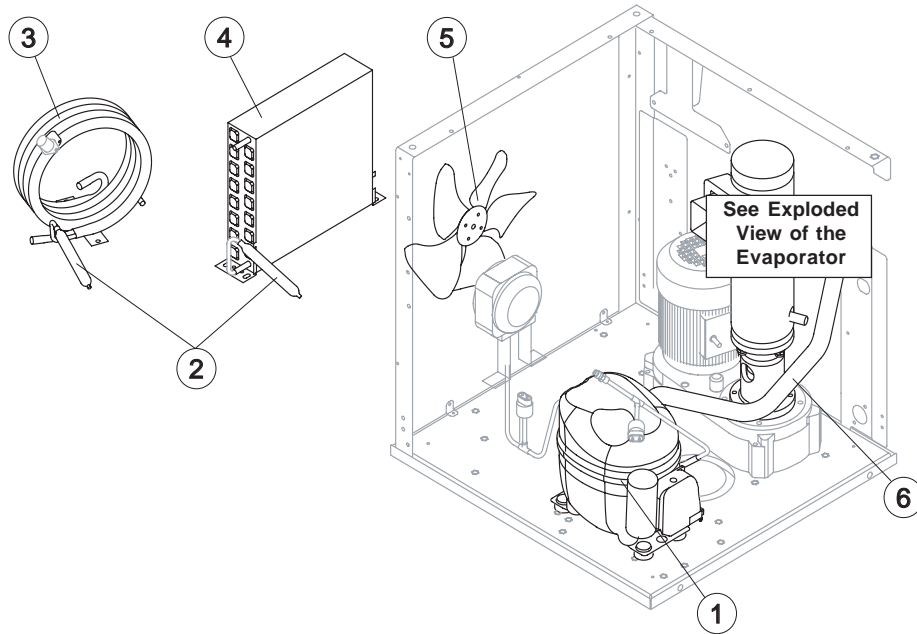
Ref.	Spare Description	Code
1	Top	221518
2	Back Panel	221514
3	Back Grill	D12091
4	Right Side Panel	221516
5	Right Side Grill	D12092
6	Front Panel	221512

### Parts for Air-Cooled Version Only

Ref.	Spare Description	Code
14*	Filter	Current Version 18246
12	Bottom Left Side Panel	Current Version 221854
13	Left Side Panel	Current Version 221516
15	Left Side Grill	Current Version D12093
7*	Filter	Till s/n. 887824 18247
8	Left Side Grill	Till s/n. 887824 D12094
9	Left Side Panel	Till s/n. 887824 221520

### Parts for Water-Cooled Version Only

Ref.	Spare Description	Code
10	Left Side Panel	221516
11	Left Side Grill	D12092



### Common Parts

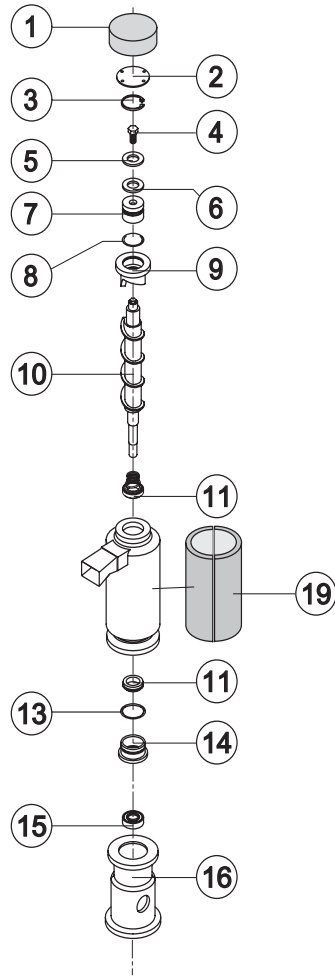
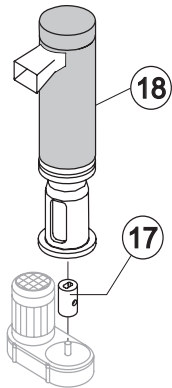
Ref.	Spare Description	Code
1	Compressore	231174
2*	Molecular Drier	14009
6	Suctin Line	for the spare parts code give us the s/n.

### Parts for Air-Cooled Version Only

Ref.	Spare Description	Code
3	Air Condenser	Current Version 201223
3	Air Condenser	Till s/n. 887824 201147
5	Sucking Fan	Current Version 20407
5	Sucking Fan	Till s/n. 887824 20031

### Parts for Water-Cooled Version Only

Ref.	Spare Description	Code
4	Water Condenser	14014

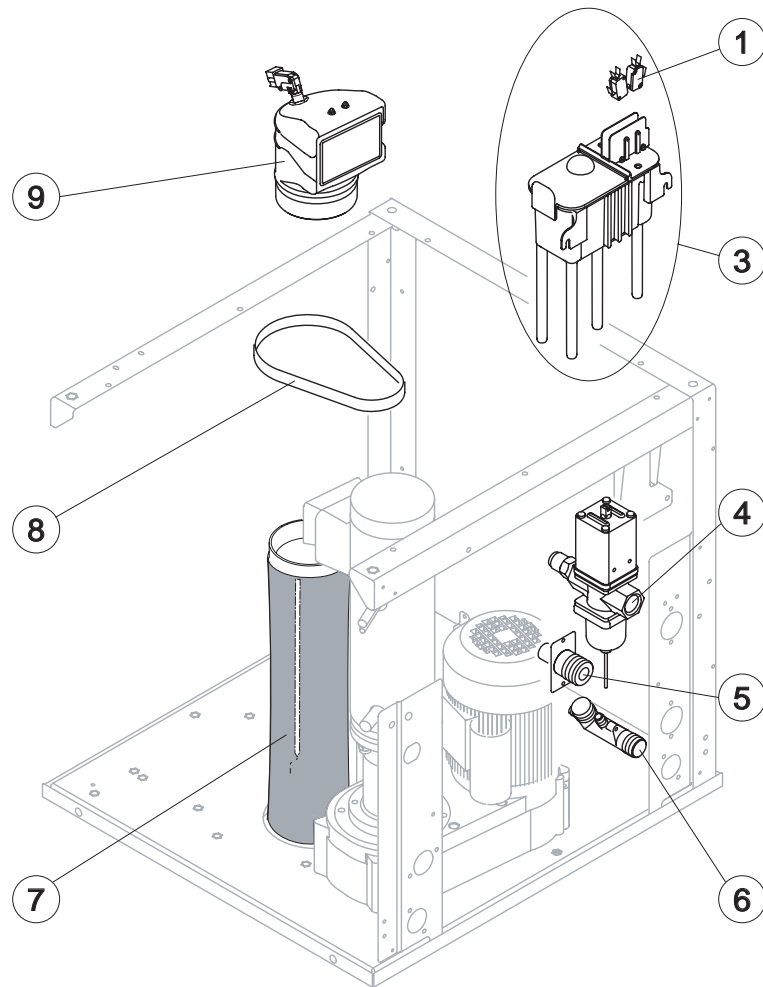


Ref.	Spare Description	Code
1	Insulating Cap	18170
2	Closing Disk	22825
3	Seeger	20043
4	Stainless Steel Screw	20663
5	Shimming Disk	22826
6	Self-Lubricating Disk	20631
7	Stainless Steel Thrust Bearing	20686
8	OR Gasket 3087	20688
9	Ice Breaker	201236
10	Auger	20783
11	Ceramic Seal	20937
13	OR Gasket 3162 NBR70	20429
14	Reduction Ring	20785
15	Stainless Steel Bearing	20782
16	Flange	20629
17	Joint	D20784
18	Evaporator Assy	C11152
19	Insulating Cap	18281



# G 160 HC

## HYDRAULIC CIRCUIT



### Common Parts

Ref.	Spare Description	Code
1	Microswitch	23055
3*	Double Switch Basin Assembly	C10684
5	Discharges Manifold	10579
7	Ice Outlet Pipe with Bin Bulb Holder	C10655
8	Locking Exhaust Strip	25049
9*	Ice Exhaust with micro Assy	C10585

### Parts for Water-Cooled Version Only

Ref.	Spare Description	Code
4	Water regulating valve assembly	R20210
5	Drain manifold	20984

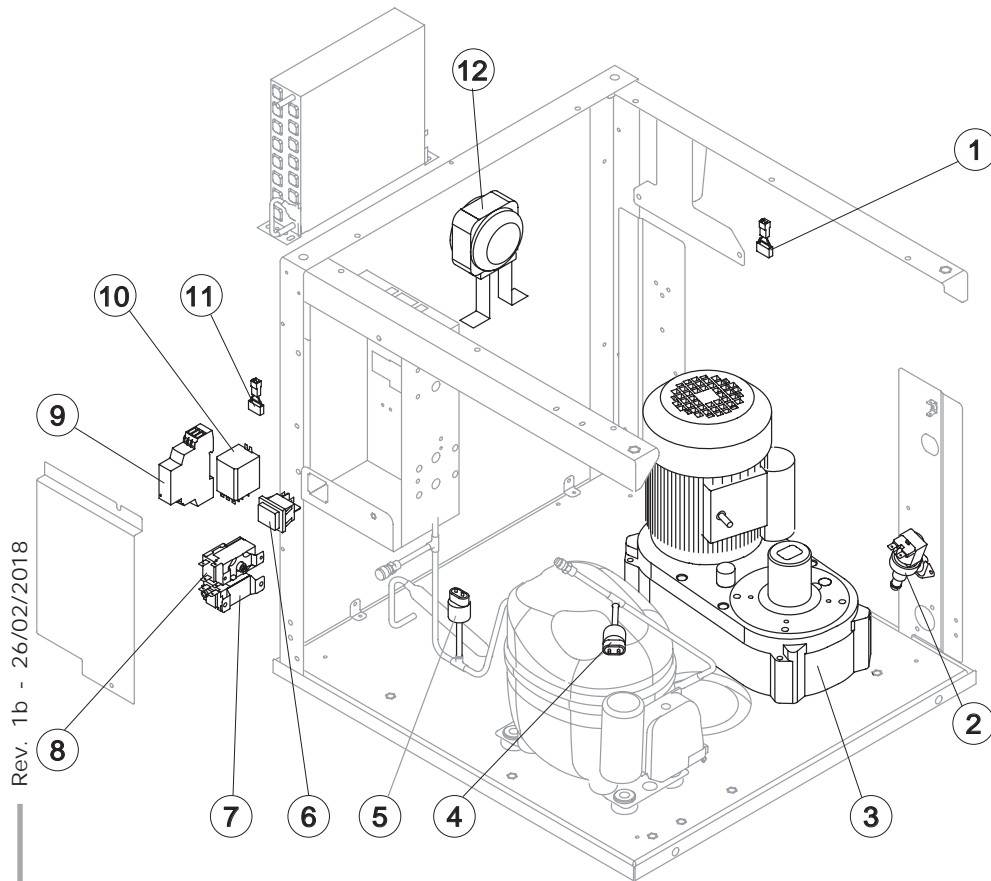


### Common Parts

Ref.	Spare Description	Code
1	Anti Radio Interference Filter	C23457
2*	1 Way- Water Inlet Valve	23115
3	Gearmotor	231030
4	Evaporator pressure switch	231124
5	HP Safety pressure switch	231126
6*	Green Light Switch (On-Off)	23327
8*	Bin Thermostat	R231035
9*	Electronic Timer	231033
10*	Relay	23190

### Parts for Air-Cooled Version Only

Ref.	Spare Description	Code
7*	Fan cycle switch	231123
11	Anti Radio Interference Filter	C23459
12*	Fan Motor	23067



Rev. 1b - 26/02/2018