



IMF 80A HC

LIST OF EXPLODED VIEWS



SHELL ASSY

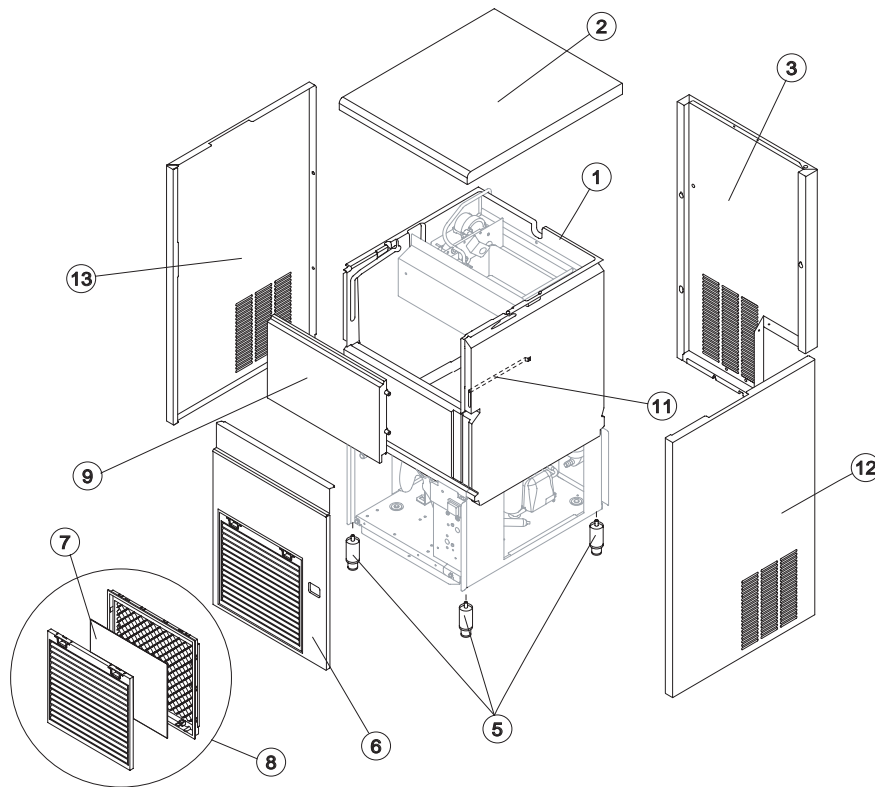
COOLING SYSTEM

HYDRAULIC CIRCUIT

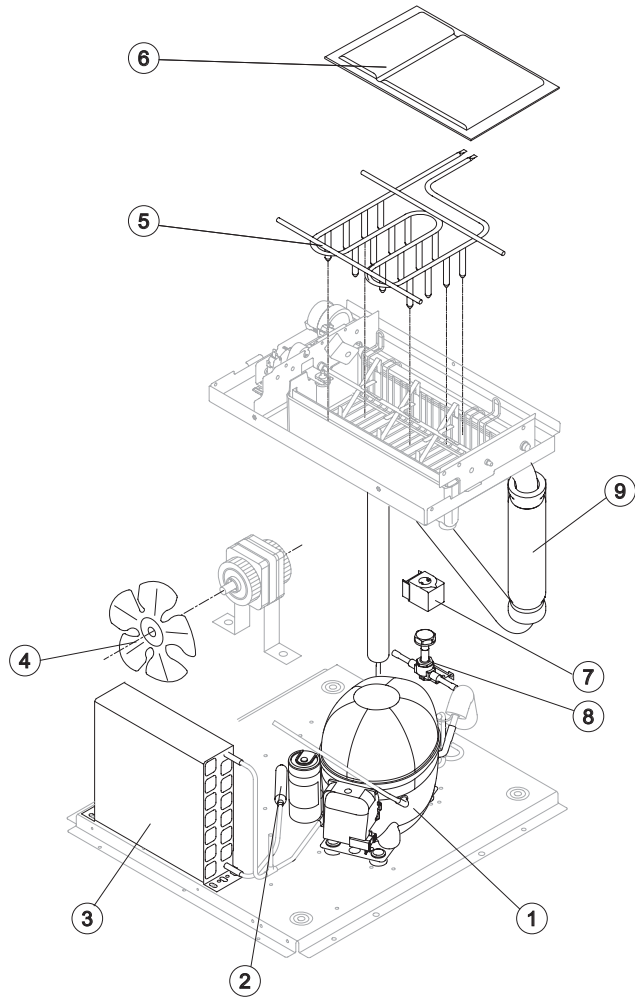
EVAPORATOR SUPPORT

ELECTRIC PARTS

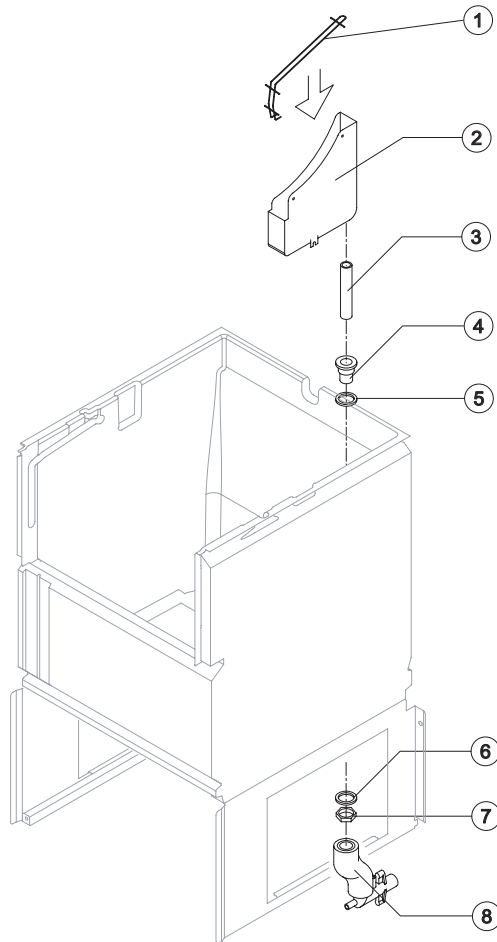
Rev. 01 - 12/03/2019



Ref.	Spare Description	Code
1	Foamed Bin Assy	C11167
2	Top Assembly	C221371
3	Rear Panel Assembly	C21400
5	Foot	20613
6	Front Grid Panel	C221369
7*	Filtering Panel	18106
8	Frame + Grid & Filter	C10205
9	Door Assy	C10275
11	Bulb-holder Pipe	20521
12	Right Side Panel	221422
13	Left Side Panel	221421



Rif.	Descrizione Ricambio	Codice
1	Compressor	231252
2*	Molecular Drier	141003
3	Air Condenser	201222
4	Sucking Fan	20031
5	Evaporator	D14843
6	Evaporator Cover Panel	10488
7*	Hot Gas Valve Coil	231294
8*	Hot Gas Valve Body	201129
9	Suctin Line	for the spare parts code give us the s/n.

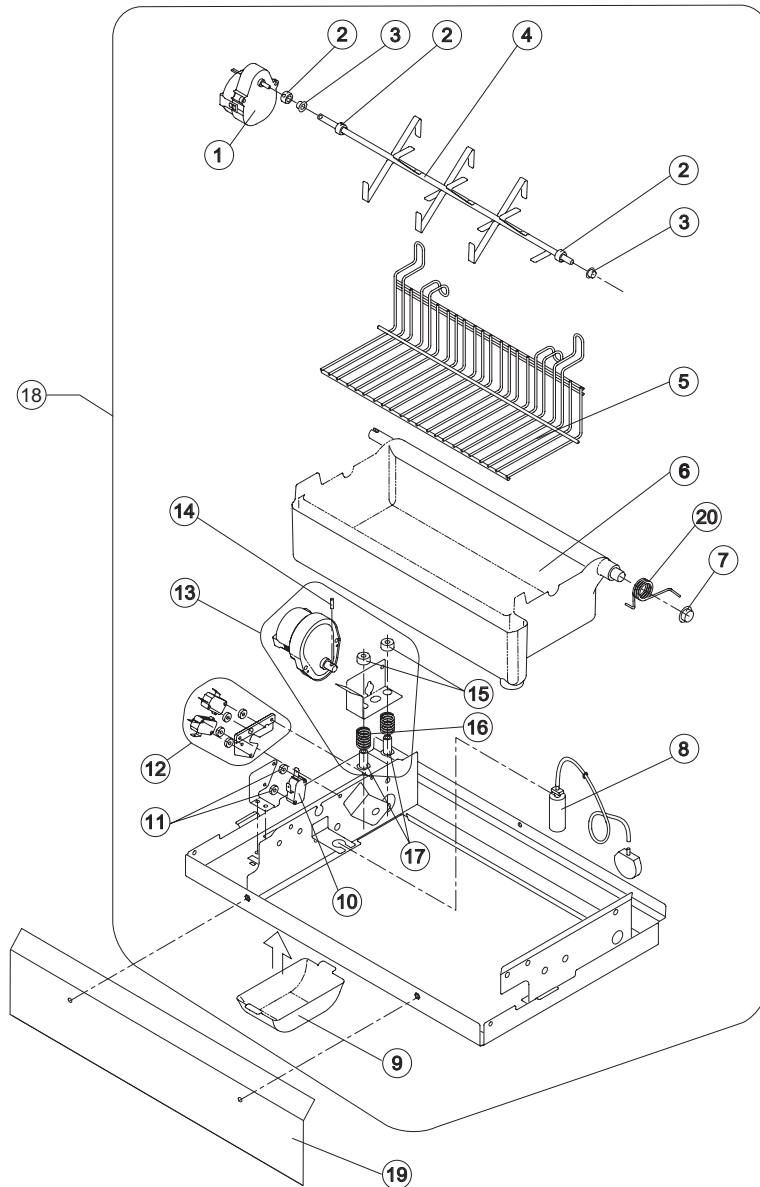


Ref.	Spare Description	Code
1	Water Collecting Basin Slide	12072
2	Water Collecting Basin	10456
3*	Water Collecting Basin Drain Pipe	13107
4	Water Outlet Nipple	10472
5	Silicone Gasket	13219
6	Semirigid Polyethylene Gasket	13007
7	Bin Discharge Nut	10096
8	Discharges Manifold	C10006



IMF 80A HC

EVAPORATOR SUPPORT



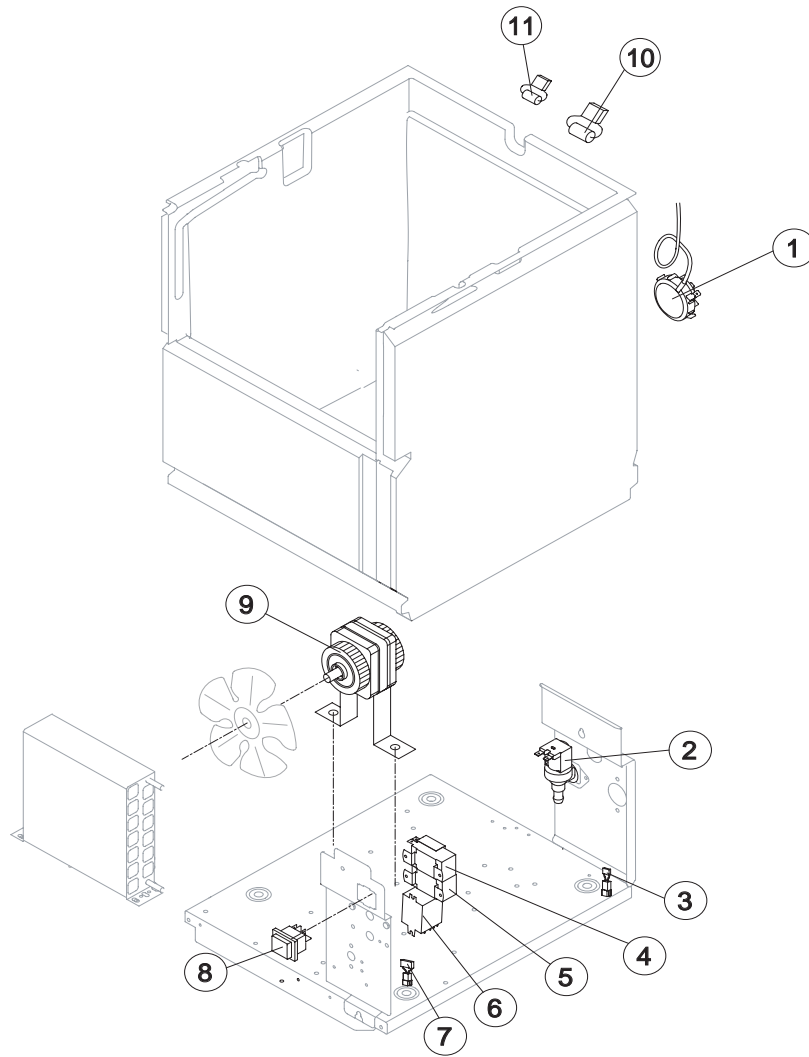
Ref.	Spare Description	Code
1*	Gearmotor (Paddles)	23801
2	Shaft Stop Ring	20227
3	Self-Lubricating Bush 06/06	20230
4*	Shaft with Paddles	201068
5	Internal Slide Bin	12090
6*	Water Basin with Pivot	RC10659
7	Self-Lubricating Bush 12/07	20231
8*	Air Trap with Pipe	C10537
9	Gearmotor (Paddles) Protection	10483
10*	Microswitch (Paddles - NO)	23804
11	Switch Shimming Ring	10250
12*	2 Microswitches (Basin - NC) Support Assembly	C26747
13*	Gearmotor (Turnover Basin) with support Assy	C26748
14	Shaft Pin for Gearmotor (Turnover Basin)	20814
15	Special Ring	20808
16	Spring (Gearmotor Support)	20809
17	Threaded Pivot	20807
18	Evaporator Support Plate Assembly	C221404
19	Front Basin Cover	221405
20	Spring	201067

Rev. 01 - 12/03/2019



IMF 80A HC

ELECTRIC PARTS



Ref.	Spare Description	Code
1*	Water Level Pressure Switch	23870
2*	1 Way- Water Inlet Valve	23220
3	Anti Radio Interference Filter	C23458
4*	Condenser Pressure Switch	231123
5*	Bin Thermostat	R23005
6	Anti Radio Interference Filter	C23459
7*	Relay	23190
8*	Green Light Switch(On-Off)	23327
9*	Fan Motor	23067
10*	Capacitor 0,068 μ F	23798
11*	Capacitor 0,12 μ F	Current Version 231336
11*	Capacitor 0,068 μ F	Till s/n. 945513 23798

Rev. 01 - 12/03/2019