



DSS 42

LIST OF THE EXPLODED VIEWS



SHELL ASSY

COOLING SYSTEM

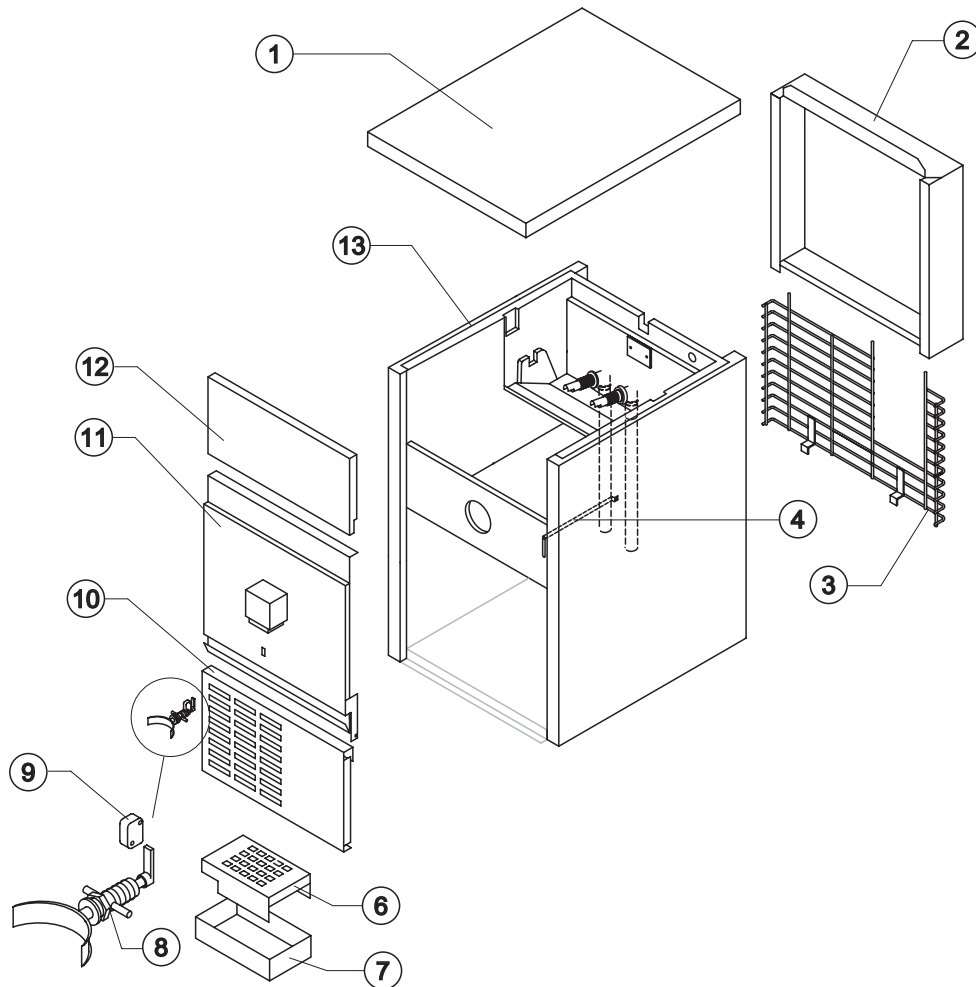
HYDRAULIC CIRCUIT

ELECTRIC PARTS



DSS 42

SHELL ASSY



| Ref. | Spare Description | Code |
|------|------------------------------------|-----------|
| 1 | Top Assembly | C22342 |
| 2 | Rear Panel Assembly | C21198 |
| 3 | Rear Grid | D12047 |
| 4 | Bulbe-holder Pipe | 20522 |
| 6 | Glass Support | 22350 |
| 7 | Drip Tray | 22349 |
| 8* | Ice Dispenser Push Button Assembly | C26544 |
| 9* | Microswitch | 23055 |
| 10 | Front Grid Panel | 22343 |
| 11 | Panel with Distributor | D22338 |
| 12 | Upper Front Panel Assembly | C22347 |
| 13 | Foamed Cabinet Assy | See Table |

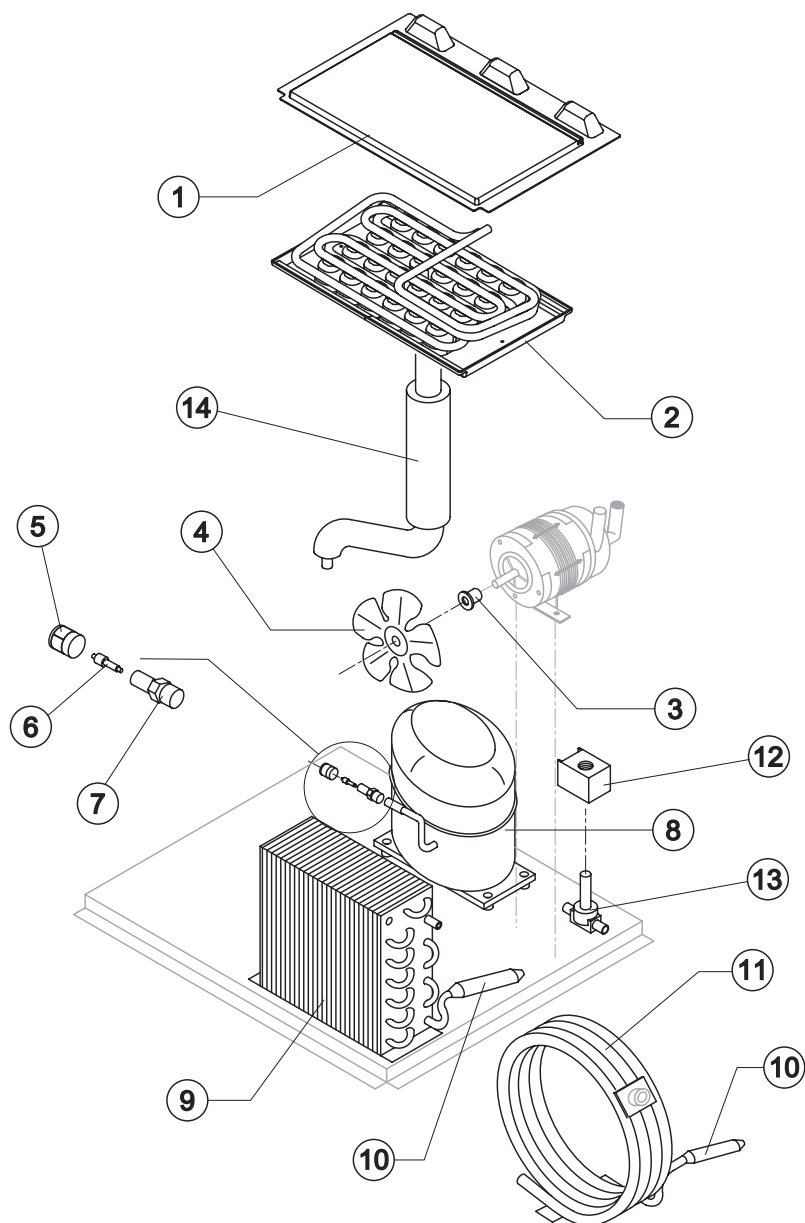
Ref. 1 - Foamed Cabinet Assy

| Condensation | Code |
|--------------|----------|
| Air | RC11051A |
| Water | RC11051W |



DSS 42

COOLING SYSTEM



Common Parts

| Ref. | Spare Description | Code |
|------|----------------------------|---|
| 1 | Evaporator Cover Panel | from s/n. 224686 |
| 2 | Evaporator | D10417 |
| 3 | Fan Fixing Hub | 10014 |
| 4 | Sucking Fan | 10213 |
| 5* | Vacuum-Charge Valve Plug | 14006 |
| 6* | Vacuum-Charge Valve Device | 14005 |
| 7 | Vacuum-Charge Valve Body | 14007 |
| 8 | Compressor | See Table |
| 10* | Molecular Drier | 14009 |
| 12* | Hot Gas Valve Coil | See Table |
| 13* | Hot Gas Valve Body | 20410 |
| 14 | Suctin Line | for the spare parts code give us the s/n. |

Parts for Air-Cooled Version Only

| Ref. | Spare Description | Code |
|------|-------------------|-------|
| 9 | Air Condenser | 20019 |

Parts for Water-Cooled Version Only

| Ref. | Spare Description | Code |
|------|-------------------|-------|
| 11 | Water Condenser | 14014 |

Ref. 8 - Compressor

| Voltage | Codice |
|---------|--------|
| T11 | 231202 |
| T12 | 23495A |
| T13 | 23678 |

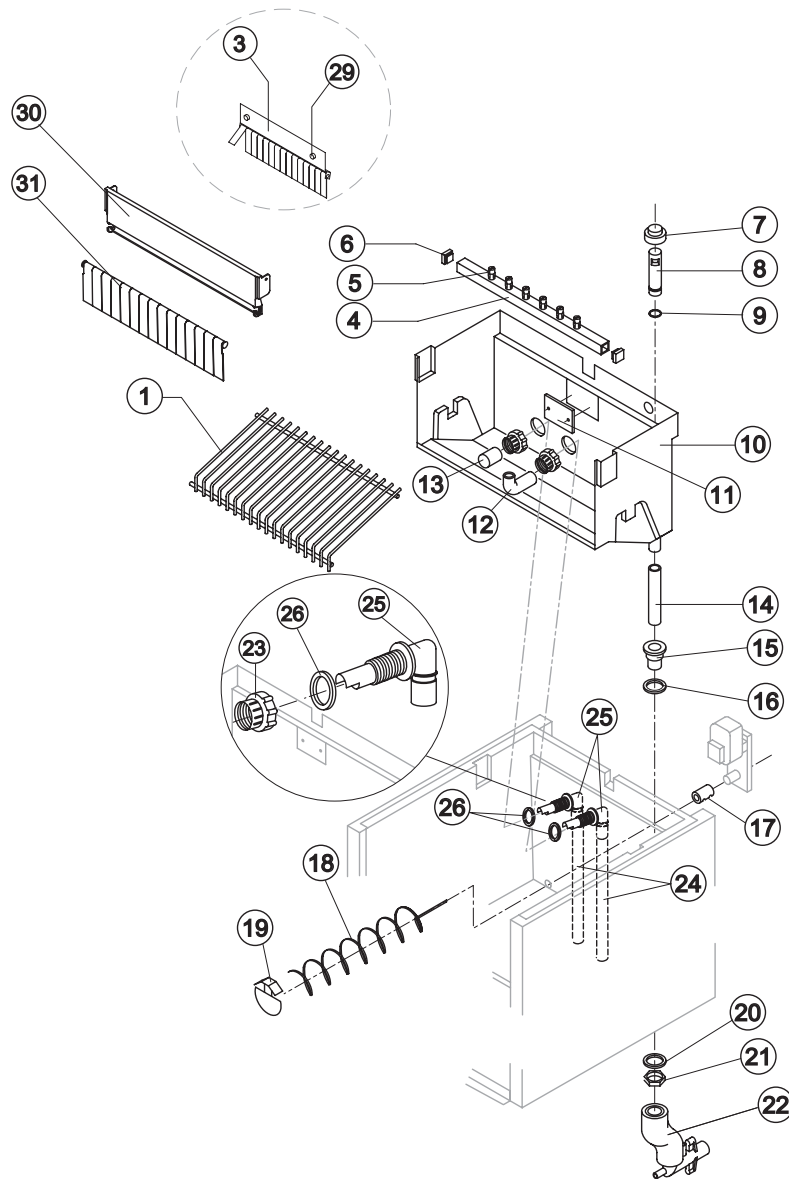
Ref. 12* - Hot Gas Valve Coil

| Voltage | Codice |
|---------|--------|
| T11 | 231294 |
| T12 | 231294 |
| T13 | 23256 |



DSS 42

HYDRAULIC CIRCUIT



Common Parts

| Ref. | Spare Description | Code |
|------|--|----------------------------|
| 1 | Ice Cubes Slide | D12038 |
| 3 | Panel with Flags | Till s/n. 380443 K10534 |
| 4* | Sprayers Bar Assembly | C20189 |
| 5 | Sprayer | D20002 |
| 6 | Sprayers Bar Plug | 10012 |
| 7* | Overflow Cap | 10305 |
| 8* | Overflow Pipe | 10133 |
| 9* | OR Gasket for Overflow Pipe | 20233 |
| 10 | Inner Basin | 10253 |
| 11 | Slide Keep Plate | 10009 |
| 12 | Sprayers Feeding Pipe | 13005 |
| 13* | Pump Suction Filter | 20005 |
| 14* | Overflow Pipe | 13108 |
| 15 | Water Outlet Nipple | 10472 |
| 16 | Silicone Gasket | 13006 |
| 17 | Connection Bush for Ice Cubes Conveyor Screw | 20280 |
| 18 | Ice Cubes Conveyor Screw | 20281 |
| 19 | Cubes Holding Plate | 22402 |
| 20 | Semirigid Polyethylene Gasket | 13007 |
| 21 | Bin Discharge Nut | 10096 |
| 23 | Fittings Locking Ring | 10405 |
| 24 | Pump Suction/Delivery Pipes | 13140 |
| 25 | Fitting of the Pump Suction/Delivery Pipes | 10404 |
| 26 | Gasket for Pump Suction/Delivery Pipes | 13143 |
| 29 | Fixing Screw | Till s/n. 380443 20009 |
| 30 | Flags ABS Support | Current Version 10526 |
| 31 | Rod with Flags | Current Version C10534 |

Parts for Air Cooled Version Only

| Ref. | Spare Description | Code |
|------|---------------------|--------|
| 22 | Discharges Manifold | C10006 |

Parts for Water Cooled Version Only

| Ref. | Spare Description | Code |
|------|---------------------|--------|
| 22 | Discharges Manifold | C26452 |



Common Parts

| Ref. | Spare Description | Code |
|------|-----------------------|-----------|
| 1* | Pump Assy | See Table |
| 2* | Gearmotor | See Table |
| 8* | Electronic Timer | 231203 |
| 9* | Evaporator Thermostat | R23591 |
| 11* | Bin Thermostat | R23005 |
| 13* | Timer | See Table |

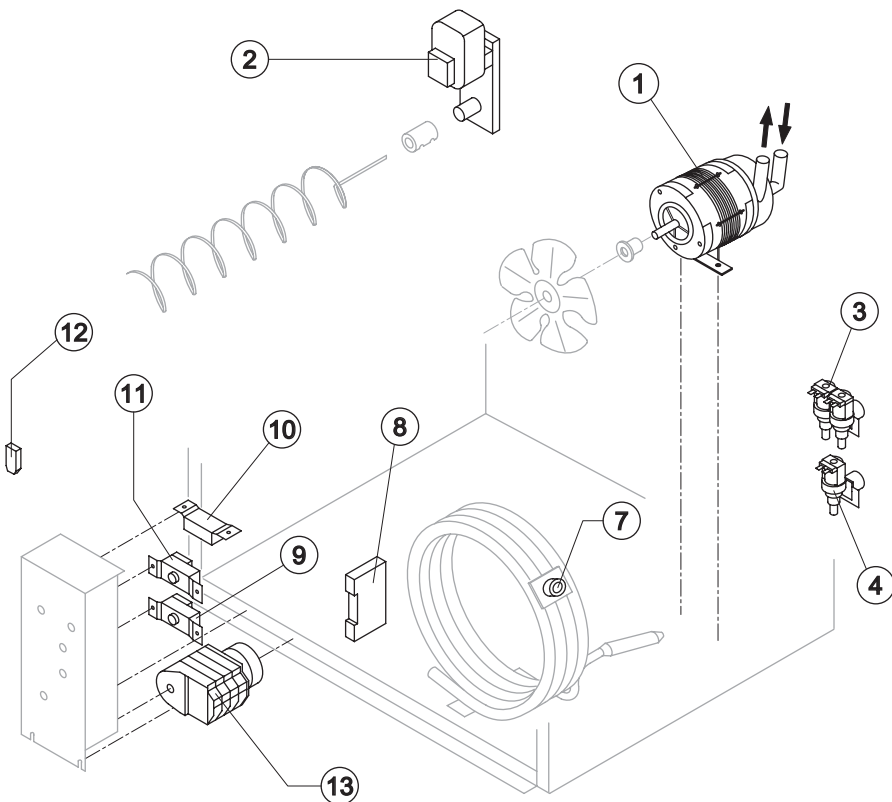
Parts for Air-Cooled Version Only

| Ref. | Spare Description | Code |
|------|--------------------------|-----------|
| 4* | 1 Way- Water Inlet Valve | See Table |

Parts for Water-Cooled Version Only

| Ref. | Spare Description | Code |
|------|--------------------------------|---------------------------|
| 3* | 2 Ways- Water Inlet Valve | See Table |
| 7* | Safety Thermostat | C23114 |
| 10* | Condenser Pressure Switch | 23175 |
| 12 | Anti Radio Interference Filter | Only 220V 50 Hz C23457 |

Rev. 13 - 18/05/2018



Ref. 1* - Pump Assy

| Voltage | Code |
|---------|--------|
| T11 | C23377 |
| T12 | C23377 |
| T13 | C23663 |

Ref. 2* - Gearmotor

| Voltage | Code |
|---------|-------|
| T11 | 23310 |
| T12 | 23310 |
| T13 | 23614 |

Ref. 3* - 2 Ways- Water Inlet Valve

| Voltage | Code |
|---------|-------|
| T11 | 23010 |
| T12 | 23010 |
| T13 | 23261 |

Ref. 4* - 1 Way- Water Inlet Valve

| Voltage | Code |
|---------|-------|
| T11 | 23001 |
| T12 | 23001 |
| T13 | 23260 |

Ref. 13* - Timer

| Voltage | Code |
|---------|--------|
| T11 | 23247 |
| T12 | 231077 |
| T13 | 23258 |