



G 160

LIST OF THE EXPLODED VIEWS



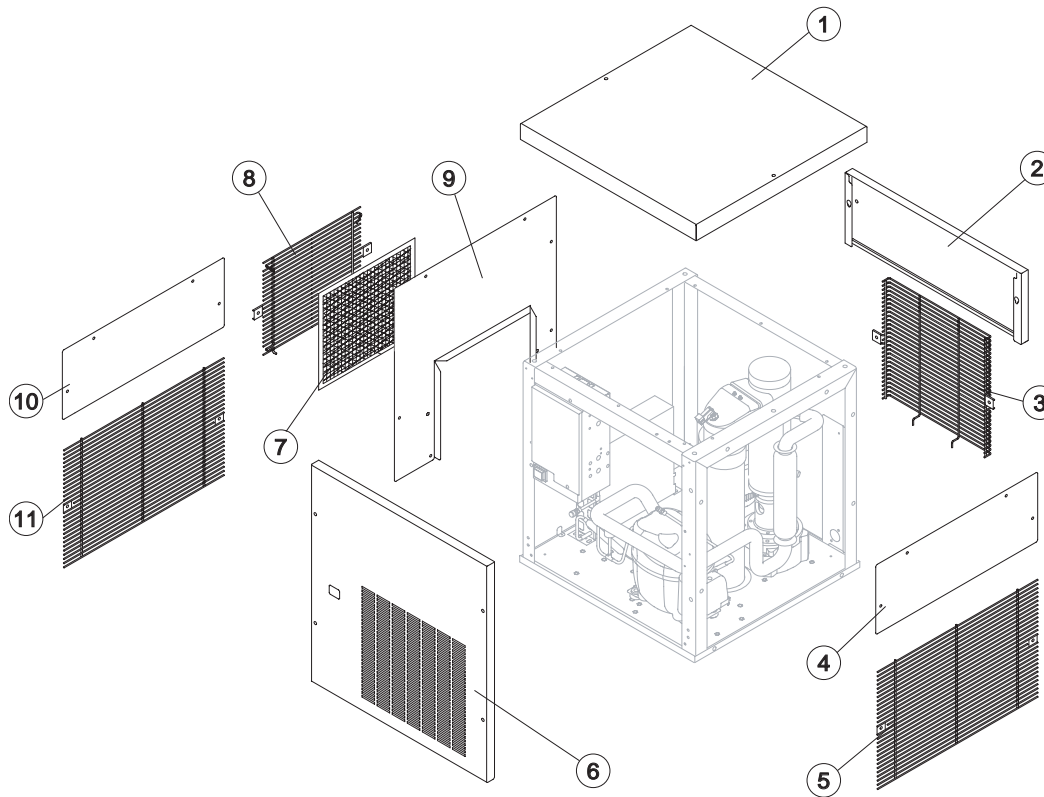
SHELL ASSY

COOLING SYSTEM

EVAPORATOR

HYDRAULIC CIRCUIT

ELECTRIC PARTS



Rev. 3 - 12/03/2019

Common Parts

Ref.	Spare Description	Code
1	Top	221518
2	Back Panel	221514
3	Back Grill	D12091
4	Right Side Panel	221516
5	Right Side Grill	D12092
6	Front Panel	221512

Parts for Air-Cooled Version Only

Ref.	Spare Description	Code
7*	Filter	18247
8	Left Side Grill	D12094
9	Left Side Panel	221520

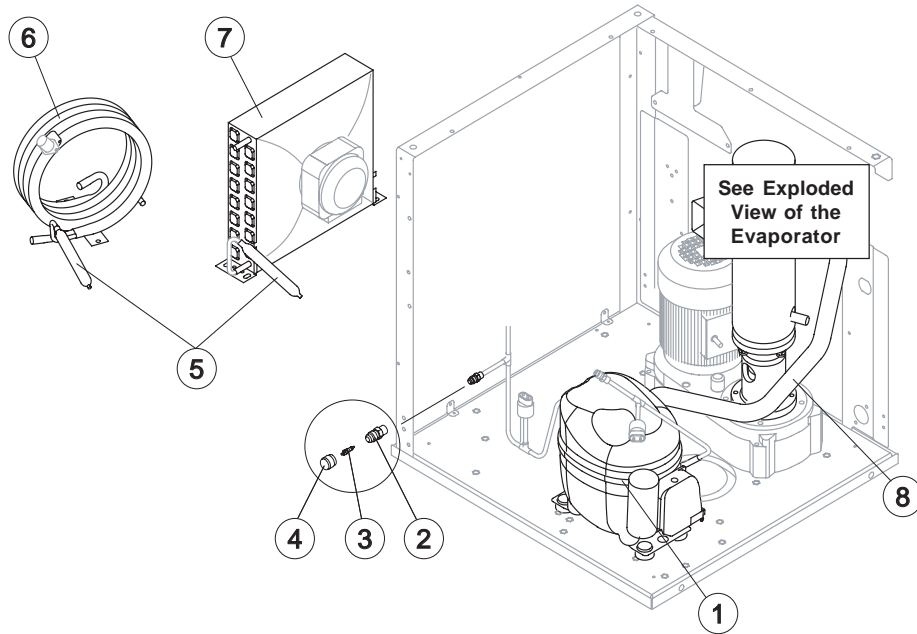
Parts for Water-Cooled Version Only

Ref.	Spare Description	Code
10	Left Side Panel	221516
11	Left Side Grill	D12092



G 160

COOLING SYSTEM



Common Parts

Ref.	Spare Description	Code
1	Compressor	See Table
5*	Molecular Drier	14009
8	Suctin Line	for the spare parts code give us the s/n.

Parts for Air-Cooled Version Only

Ref.	Spare Description	Code
7	Air Condenser	20558

Parts for Water-Cooled Version Only

Ref.	Spare Description	Code
6	Water Condenser	14014

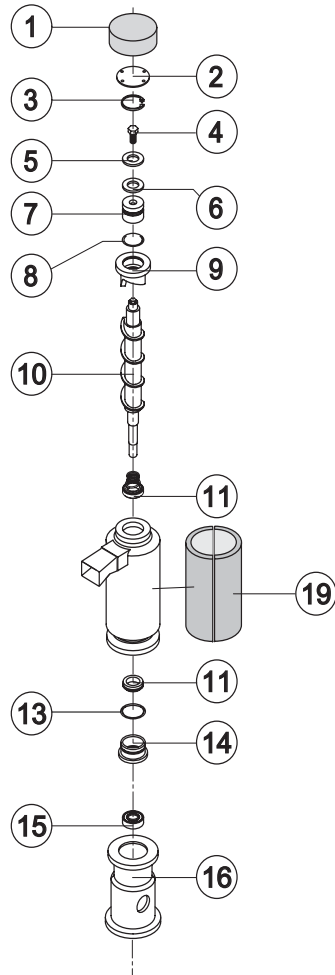
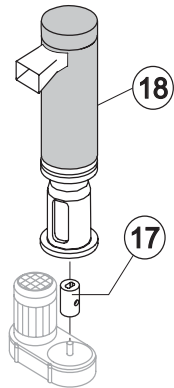
Rif. 1 - Compressor

Voltage	Code
220-240V ~ 50Hz	23832
220-230V ~ 60Hz	231308



G 160

EVAPORATOR

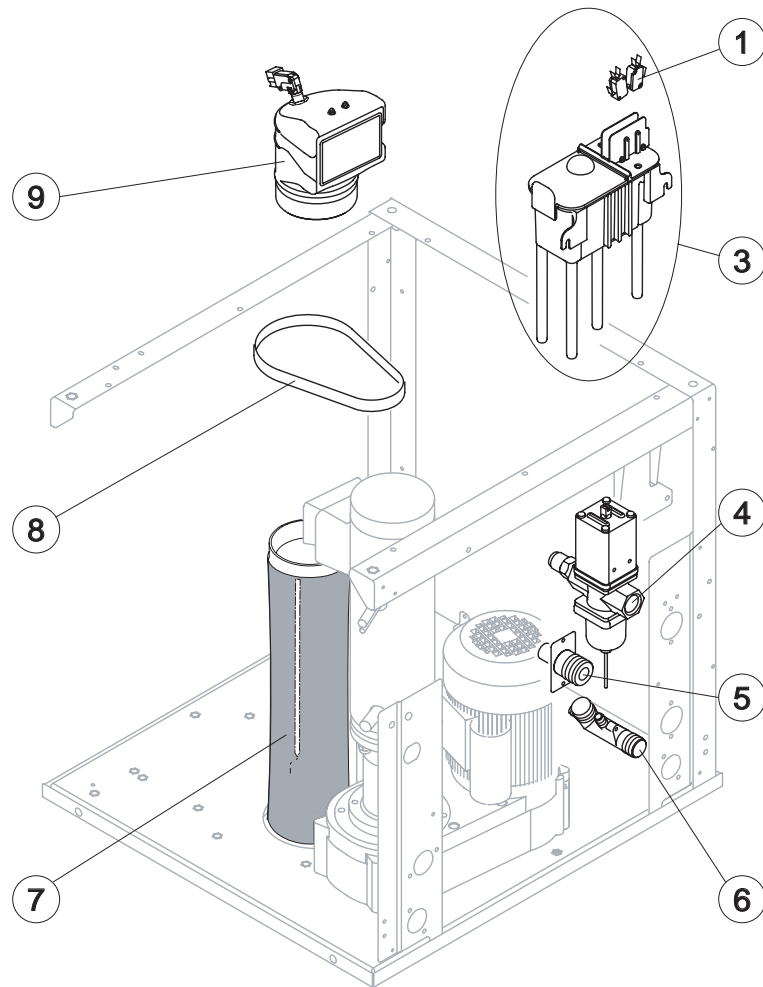


Ref.	Spare Description	Code
1	Insulating Cap	18170
2	Closing Disk	22825
3	Seeger	20043
4	Stainless Steel Screw	20663
5	Shimming Disk	22826
6	Self-Lubricating Disk	20631
7	Stainless Steel Thrust Bearing	20686
8	OR Gasket 3087	20688
9	Ice Breaker	201236
10	Auger	20783
11	Ceramic Seal	20937
13	OR Gasket 3162 NBR70	20429
14	Reduction Ring	20785
15	Stainless Steel Bearing	20782
16	Flange	20629
17	Joint	D20784
18	Evaporator Assy	C11152
19	Insulating Cap	18281



G 160

HYDRAULIC CIRCUIT



Common Parts

Ref.	Spare Description	Code
1	Microswitch	23055
3*	Double Switch Basin Assembly	C10684
5	Discharges Manifold	10579
7	Ice Outlet Pipe with Bin Bulb Holder	C10655
8	Locking Exhaust Strip	25049
9*	Ice Exhaust with micro Assy	C10585

Parts for Water-Cooled Version Only

Ref.	Spare Description	Code
4	Water regulating valve assembly	R20210
5	Drain manifold	20984

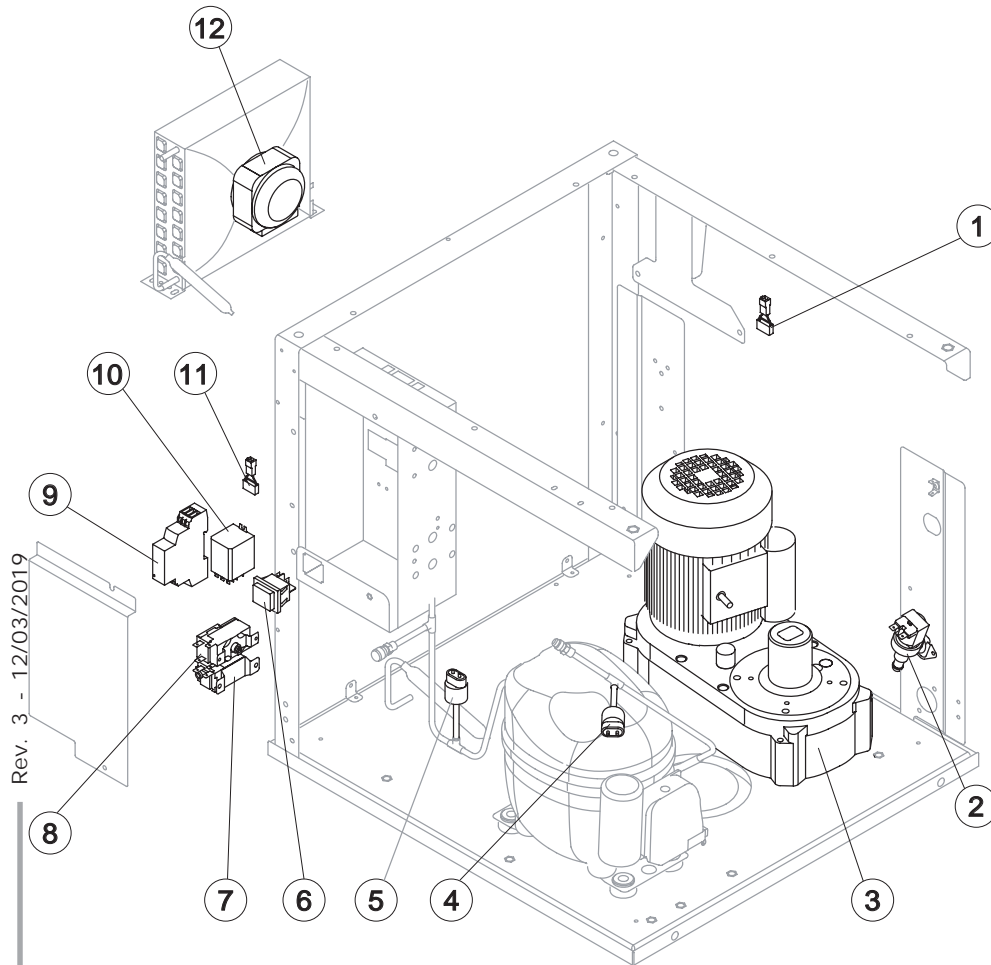


Common Parts

Ref.	Spare Description	Code
1	Anti Radio Interference Filter 220-240V ~ 50Hz	C23457
2*	1 Way- Water Inlet Valve	23115
3	Gearmotor	231030
4	Evaporator pressure switch	23909
5	HP Safety pressure switch	23960
6*	Green Light Switch (On-Off)	23327
8*	Bin Thermostat	R231035
9*	Electronic Timer	231033
10*	Relay	23190

Parts for Air-Cooled Version Only

Ref.	Spare Description	Code
7*	Condenser Pressure Switch	23175
11	Anti Radio Interference Filter 220-240V ~ 50Hz	C23459
12*	Fan Motor with Conveyor	231006



Rev. 3 - 12/03/2019