



GB 903 HC

LIST OF THE EXPLODED VIEWS



SHELL ASSY

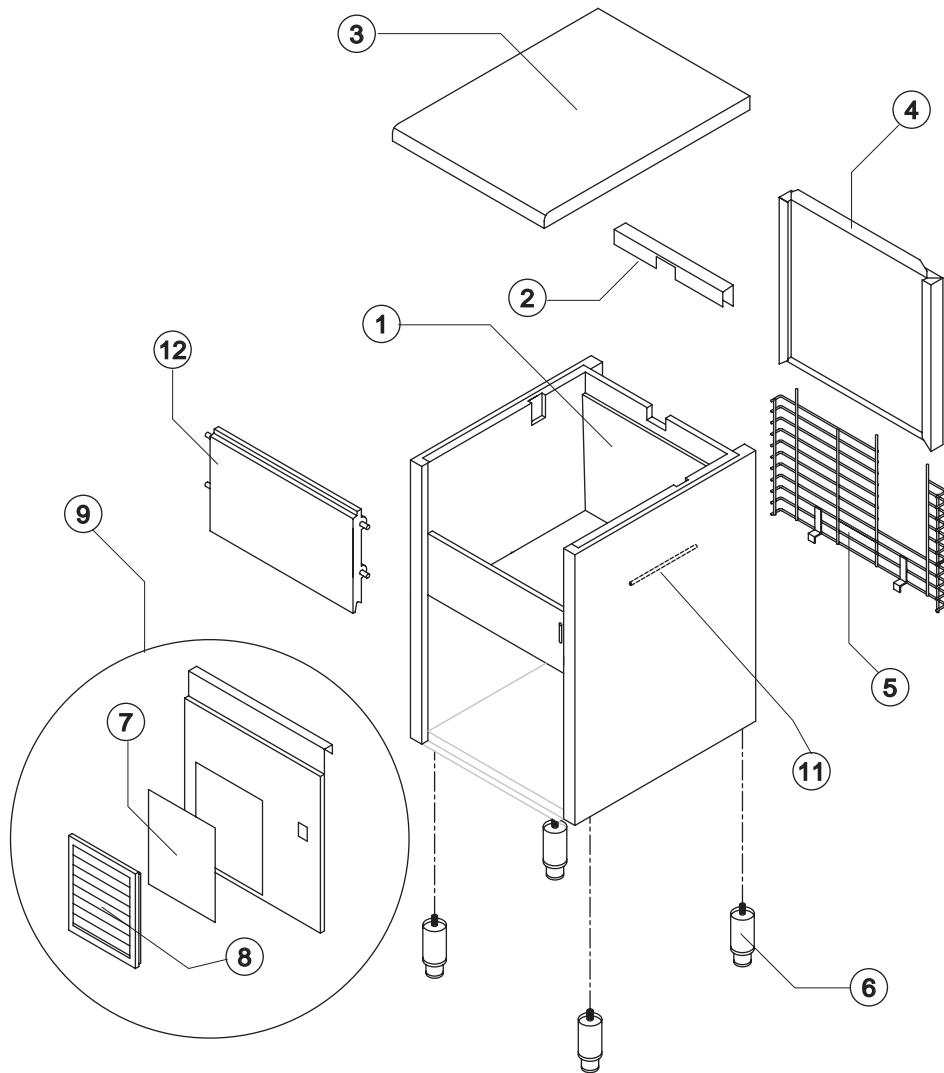
COOLING SYSTEM

EVAPORATOR

HYDRAULIC CIRCUIT

ELECTRIC PARTS

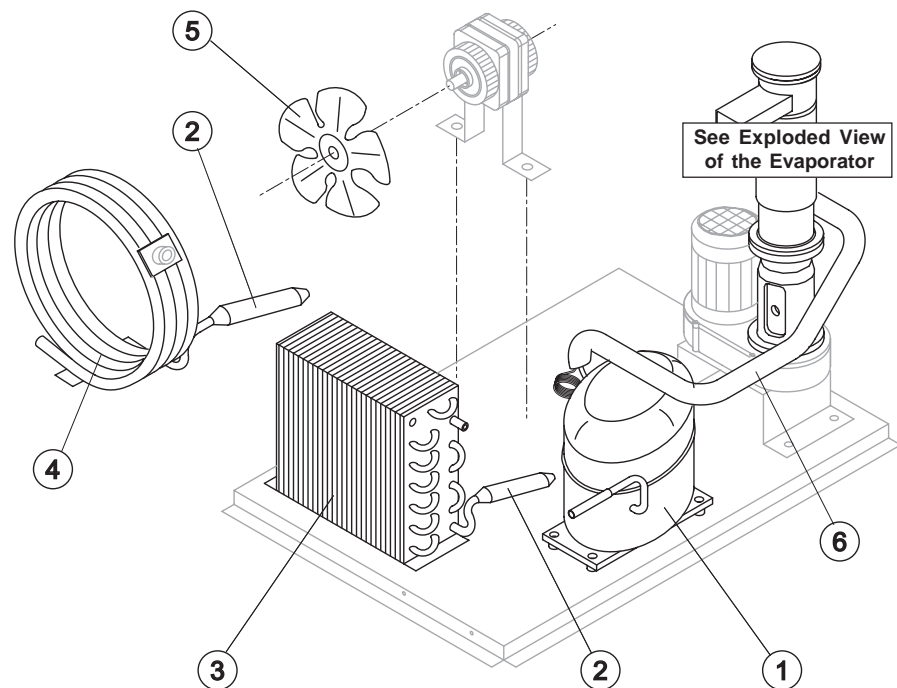
Rev. 02 - 12/03/2019



Ref.	Spare Description	Code
1	Foamed Cabinet Assy	See Table
2	Cover for Ice Exhaust	22590
3	Top Assembly	C22689
4	Rear Panel Assembly	C21316
5	Rear Grid	D12014
6	Adjustable Foot	20613
7*	Filtering Panel	18106
8	Frame + Grid & Filter	C10205
9	Front Grid Panel	C22508
11	Bulbe-holder Pipe	20521
12	Door Assy	C10297

Ref. 1 - Foamed Cabinet Assy

Condensation	Code
Air	C11118A
Water	C11118W



Common Parts

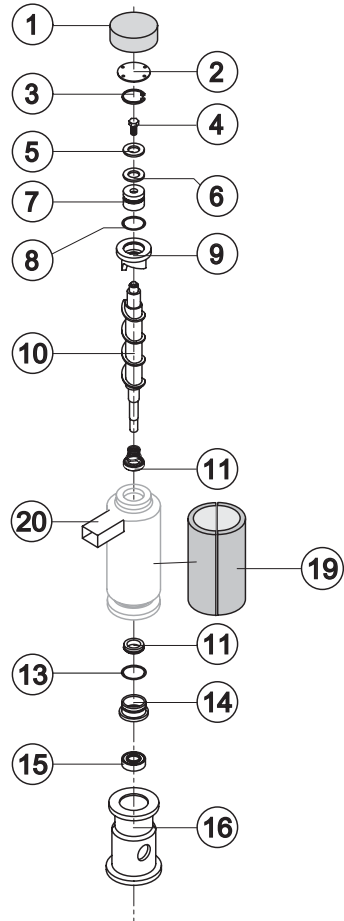
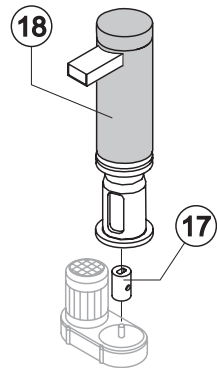
Ref.	Spare Description	Code
1	Compressor	231159
2*	Molecular Drier	14009
6	Suctin Line	for the spare parts code give us the s/n.

Parts for Air-Cooled Version Only

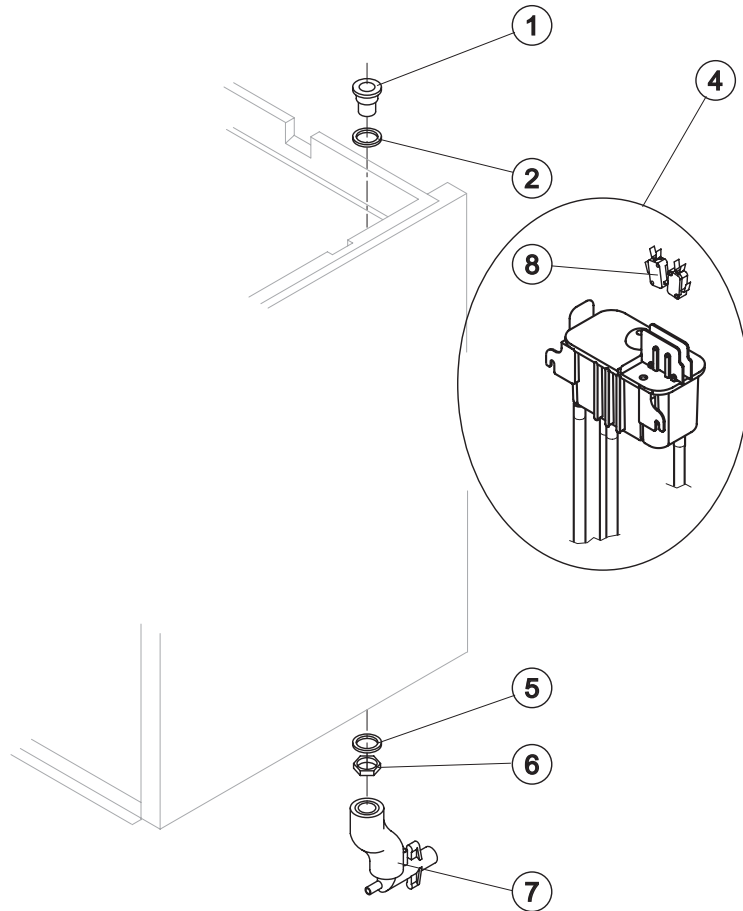
Ref.	Spare Description	Code
3	Air Condenser	Current Version 201221
3	Air Condenser	Till s/n. 874526 201131
5	Sucking Fan	20096

Parts for Water-Cooled Version Only

Ref.	Spare Description	Code
4	Water Condenser	14057
5	Sucking Fan	10213



Ref.	Spare Description	Code
1	Insulating Cap	18170
2	Closing Disk	22825
3	Seeger	20043
4	Stainless Steel Screw	20663
5	Shimming Disk	22826
6	Self-Lubricating Disk	20631
7	Stainless Steel Thrust Bearing	20686
8	OR Gasket 3087	20688
9	Ice Breaker	201236
10	Auger	20783
11	Ceramic Seal	20937
13	OR Gasket 3162 NBR70	20429
14	Reduction Ring	20785
15	Stainless Steel Bearing	20782
16	Flange	20629
17	Joint	D20784
18	Evaporator Assy	C11140
19	Insulating Cap	18267
20	ABS Ice exhaust assembly	From s/n. 829710 C10781



Common Parts

Ref.	Spare Description	Code
1	Water Outlet Nipple	10472
2	Silicone Gasket	13219
4*	Double Switch Basin Assembly	C10705
5	Semirigid Polyethylene Gasket	13007
6	Bin Discharge Nut	10096
8	Microswitch	23055

Parts for Air-Cooled Version Only

Ref.	Spare Description	Code
7	Discharges Manifold	C10235

Parts for Water-Cooled Version Only

Ref.	Spare Description	Code
7	Discharges Manifold	C10240



Common Parts

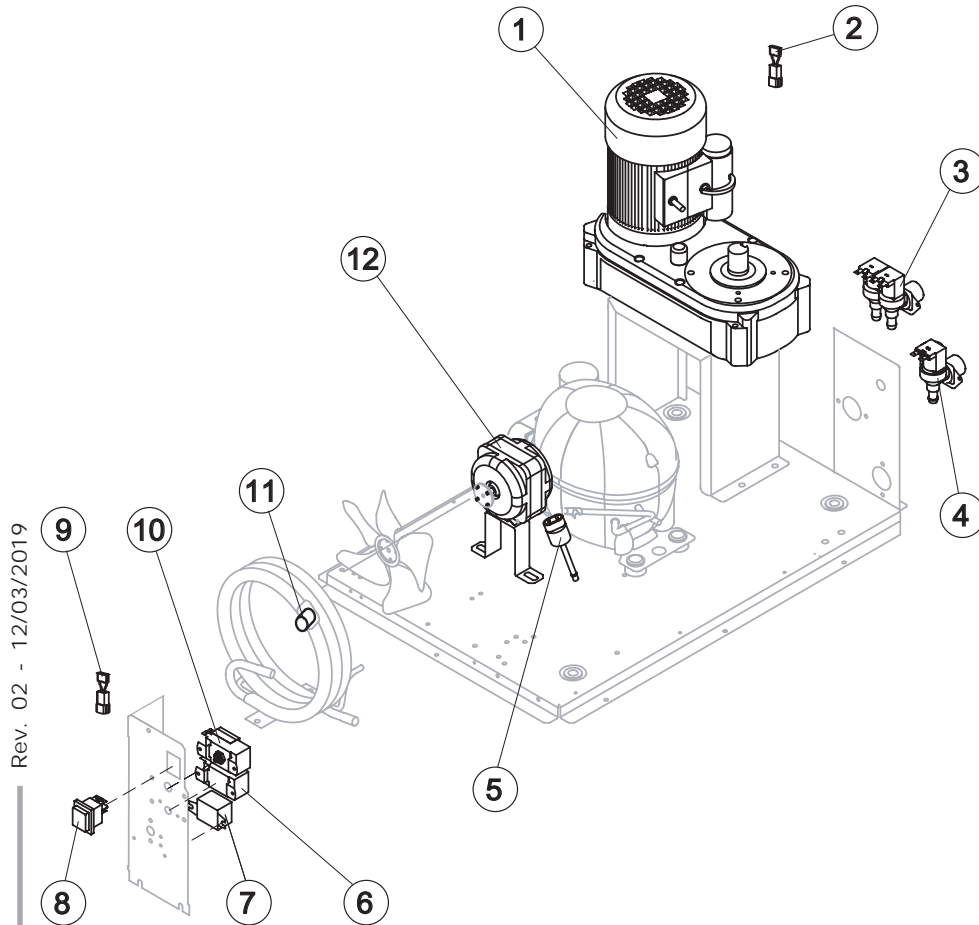
Ref.	Spare Description	Code
1	Gearmotor	231030
2	Anti Radio Interference Filter	C23457
5	Low pressure safety switch	231124
6*	Fan cycle switch	231123
7*	Relay	23190
8*	Green Light Switch (On-Off)	23327
9	Anti Radio Interference Filter	C23459
10*	Bin Thermostat	R23005

Componenti Solo Versione Aria

Ref.	Spare Description	Code
4*	1 Way- Water Inlet Valve	23115
12*	Fan Motor	Current Version 23029
12*	Fan Motor	Till s/n. 874526 231041

Componenti Solo Versione Acqua

Ref.	Spare Description	Code
3*	2 Ways- Water Inlet Valve	23116
11*	Safety Thermostat	C23114
12*	Fan Motor	23029



Rev. 02 - 12/03/2019